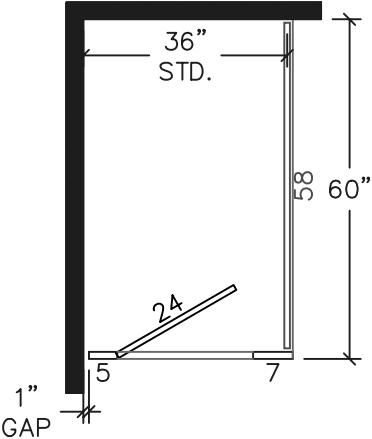
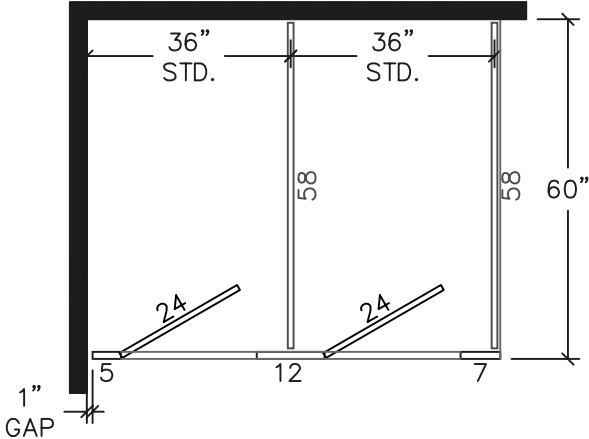


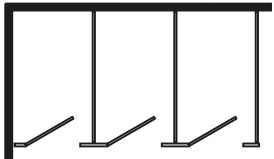
**POWDER COATED STEEL
TYPICAL IN CORNER
LAYOUTS
2.0**



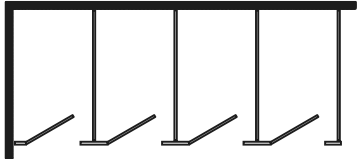
**IC - 1
STANDARD
CONFIGURATION**



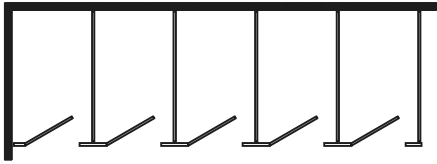
**IC - 2
STANDARD
CONFIGURATION**



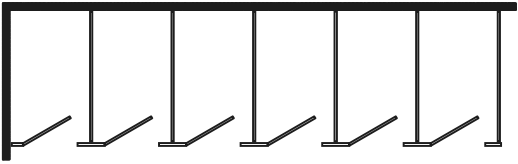
IC-3



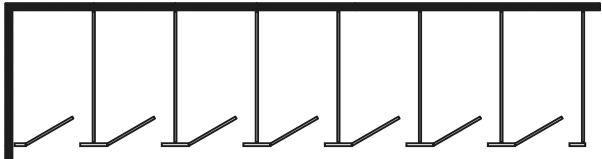
IC-4



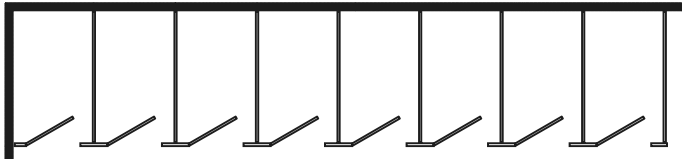
IC-5



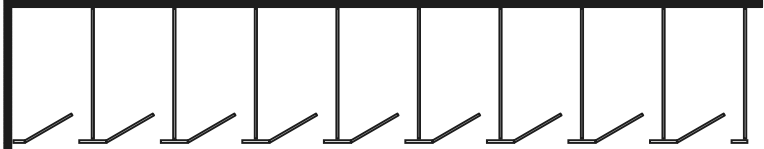
IC-6



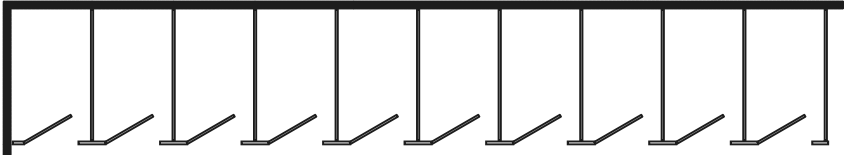
IC-7



IC-8



IC-9



IC-10