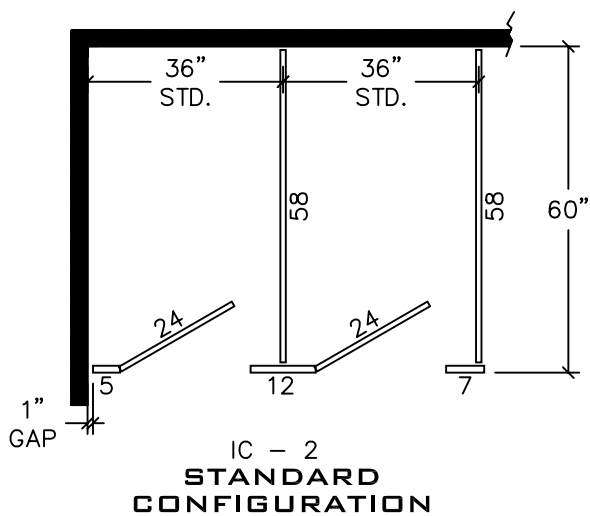
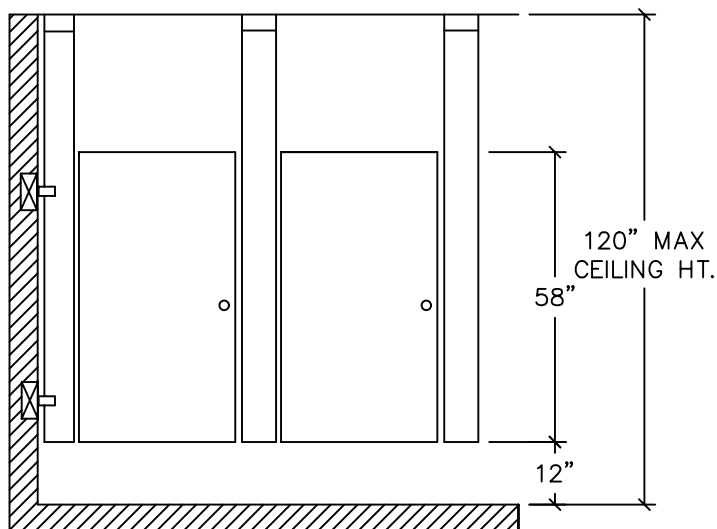
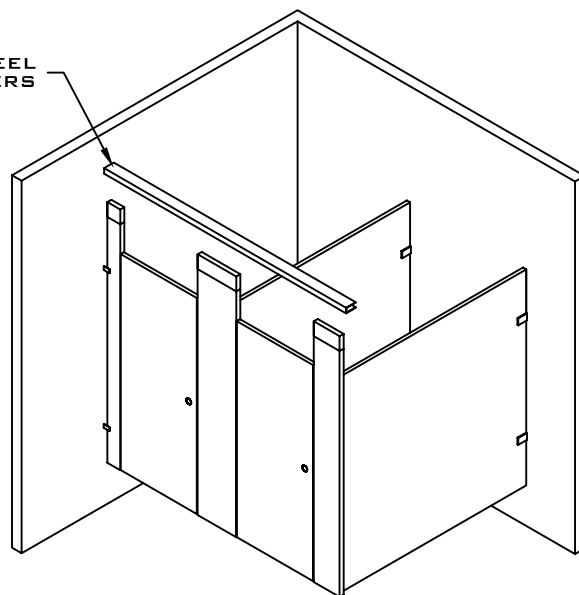


DETAILS

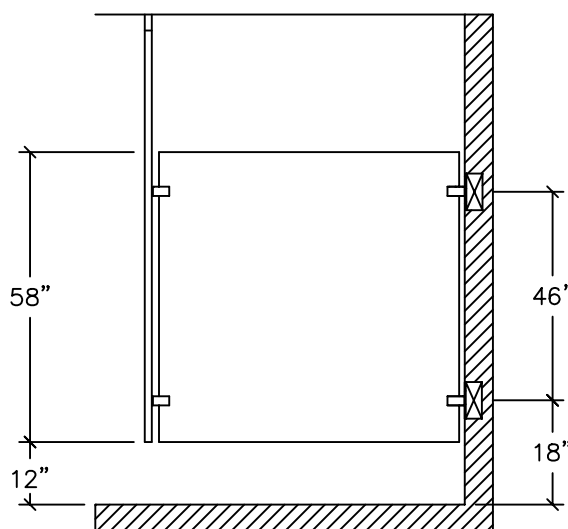
**POWDER COATED STEEL
CEILING HUNG
2.10**



STRUCTURAL STEEL BY OTHERS



FRONT ELEVATION



SIDE ELEVATION

BLOCKING IN WALL BY OTHERS