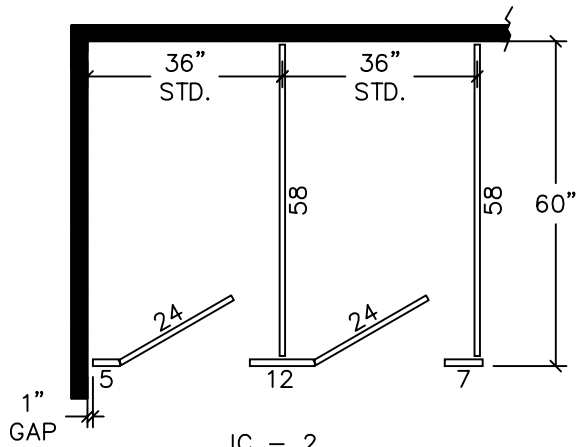
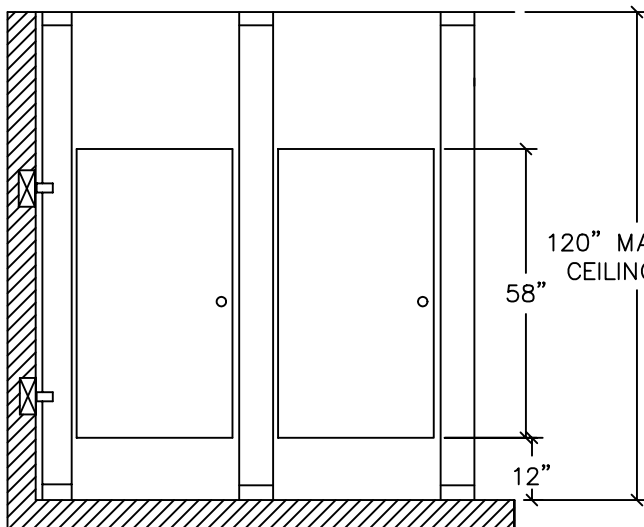
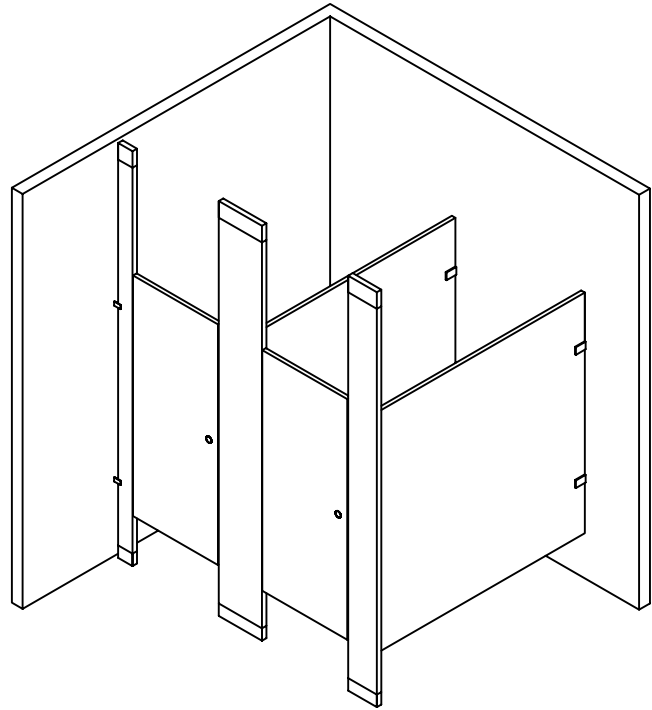


DETAILS

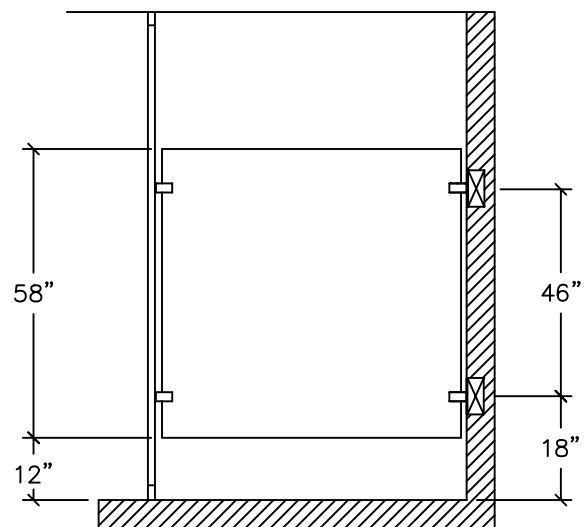
**POWDER COATED STEEL
FLOOR-TO-CEILING ANCHORED
2.13**



**IC - 2
STANDARD
CONFIGURATION**



FRONT ELEVATION



SIDE ELEVATION

 **BLOCKING IN WALL BY OTHERS**

Accurate
Accurate Partitions Corp.

**POWDER COATED STEEL
FLOOR-TO-CEILING ANCHORED
NOT TO SCALE**