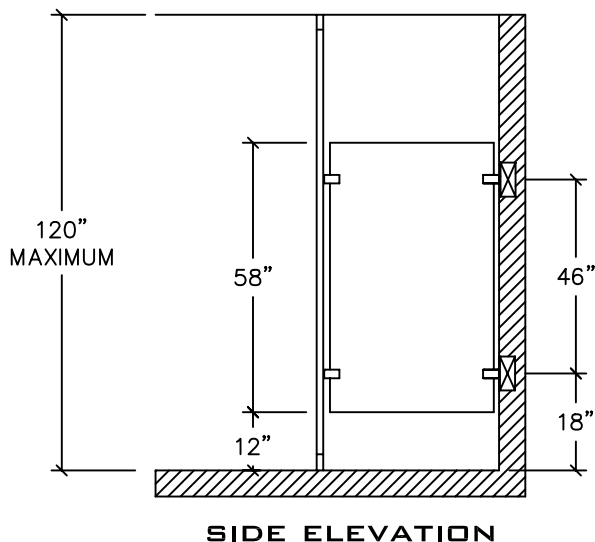
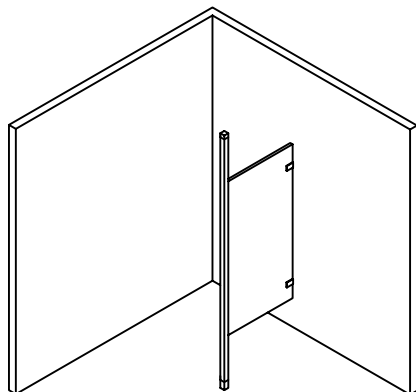
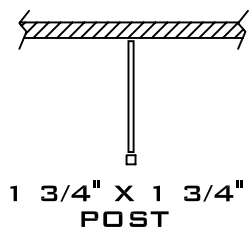


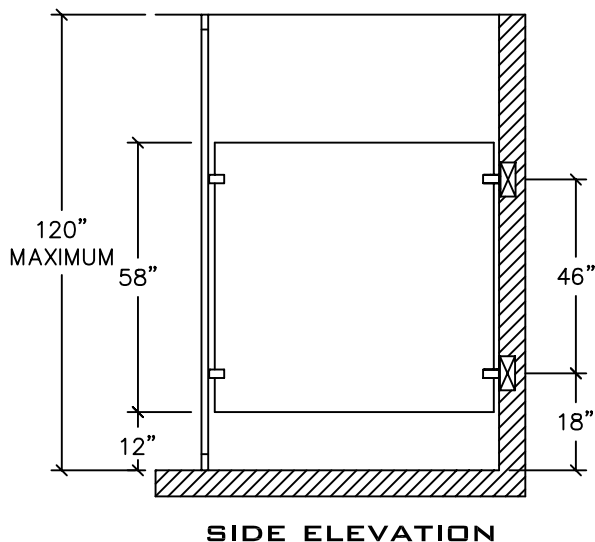
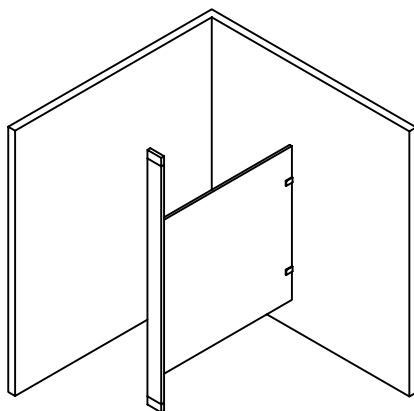
**DETAILS**

**POWDER COATED STEEL  
URINAL AND SIGHT SCREENS  
2.18**

**FLOOR-TO-CEILING SCREENS  
WITH 1 3/4" X 1 3/4"  
ALUMINUM OR POWDER COATED POST  
TYPE D**



**FLOOR-TO-CEILING SCREENS  
WITH POWDER COATED PILASTER**



**SIGHT SCREENS ABOVE ARE 58" HIGH BY DEPTH REQUIRED  
AVAILABLE WITH CHROME PLATED ZAMAC OR STAINLESS STEEL  
STIRRUP BRACKETS OR CONTINUOUS ALUMINUM OR  
STAINLESS STEEL BRACKETS**

 **BLOCKING IN WALL BY OTHERS**

**Accurate**  
Accurate Partitions Corp.

**POWDER COATED STEEL  
URINAL AND SIGHT SCREENS**