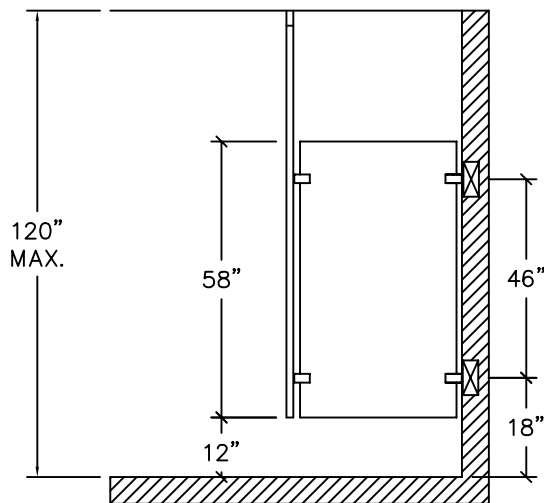
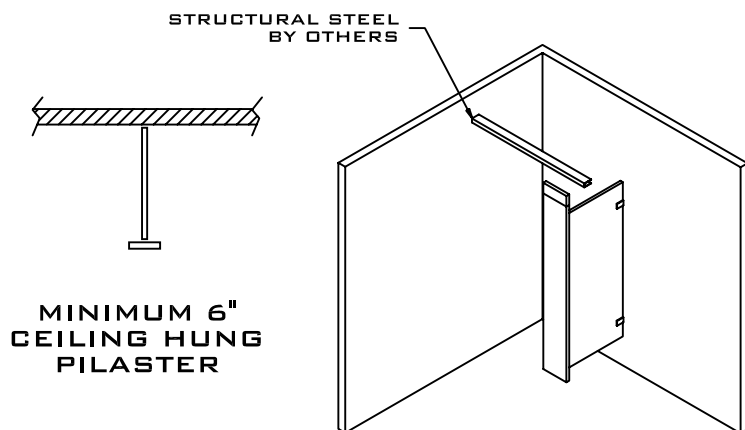


**DETAILS**

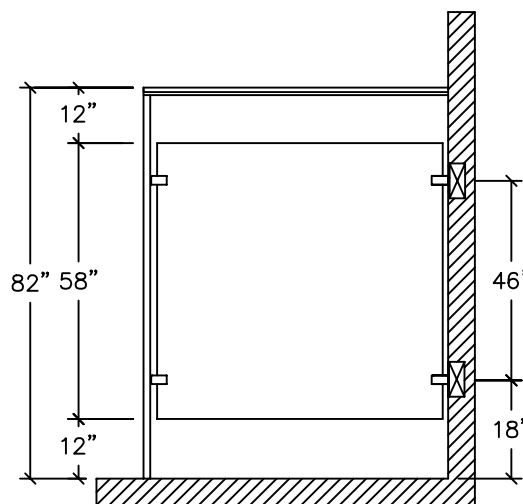
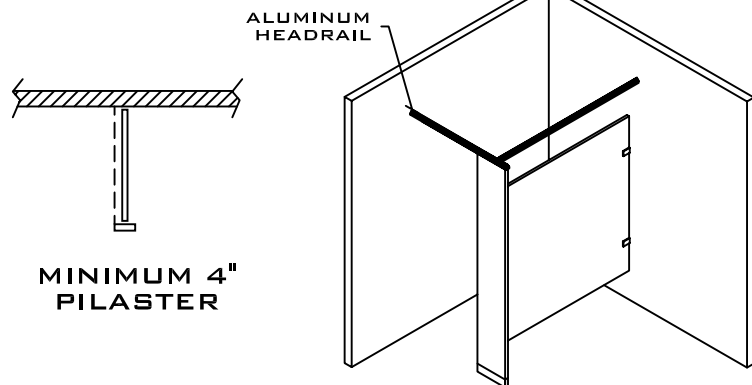
**POWDER COATED STEEL  
URINAL AND SIGHT SCREENS  
2.19**

**CEILING HUNG SCREENS  
TYPE PAUS**



**SIDE ELEVATION**

**FLOOR ANCHORED / OVERHEAD BRACED  
SCREENS  
TYPE PCUS**



**SIDE ELEVATION**

SCREENS ABOVE ARE 58" HIGH BY DEPTH REQUIRED  
ARE AVAILABLE WITH CHROME PLATED ZAMAC OR STAINLESS STEEL STIRRUP  
BRACKETS OR CONTINUOUS ALUMINUM OR STAINLESS STEEL BRACKETS

⊠ BLOCKING IN WALL BY OTHERS

**Accurate**  
Accurate Partitions Corp.

**POWDER COATED STEEL  
URINAL AND SIGHT SCREENS**