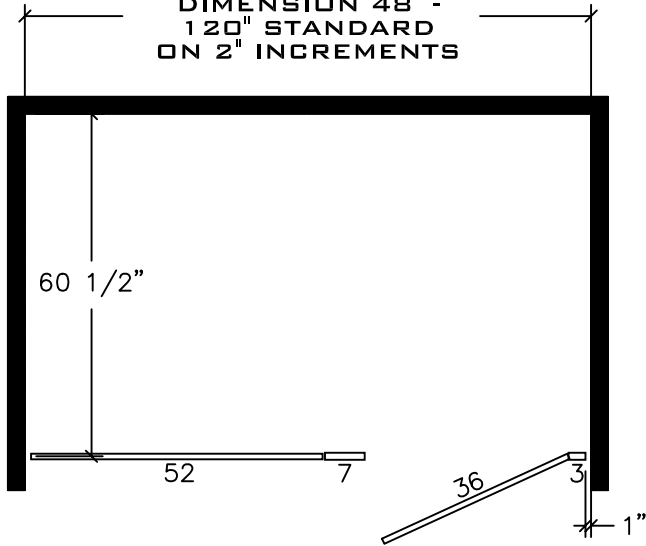


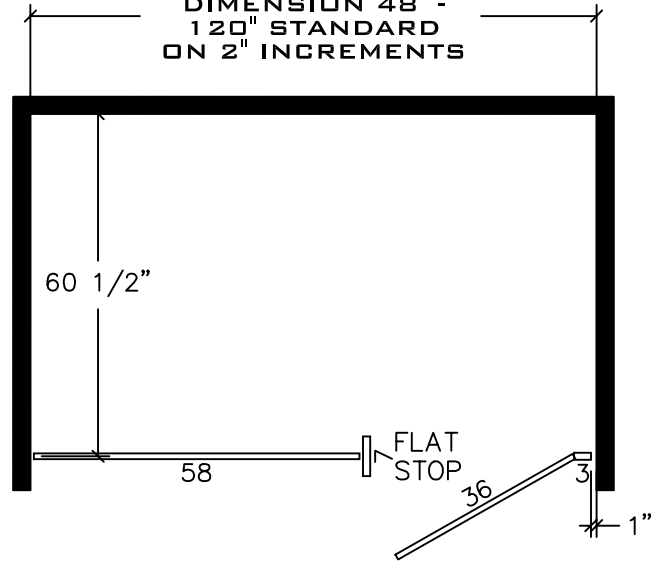
**POWDER COATED STEEL  
FLOOR-TO-CEILING, FLOOR  
ANCHORED, CEILING HUNG  
TYPICAL ALCOVE  
LAYOUTS  
2.2B**

BETWEEN WALL  
DIMENSION 48" -  
120" STANDARD  
ON 2" INCREMENTS

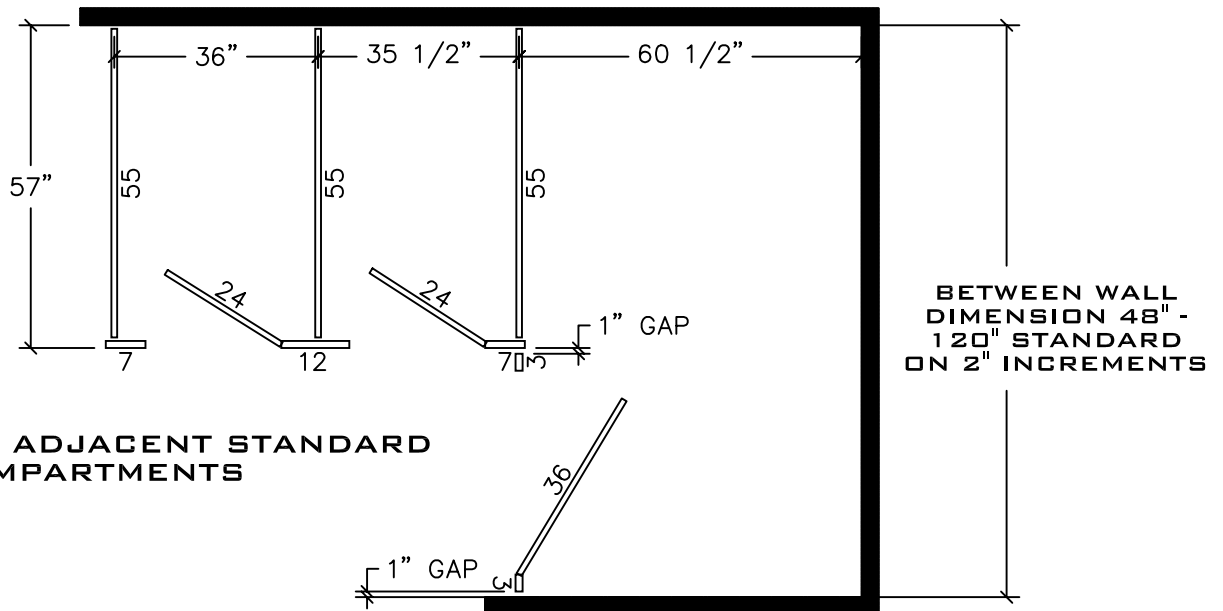


**FLOOR - TO - CEILING**

BETWEEN WALL  
DIMENSION 48" -  
120" STANDARD  
ON 2" INCREMENTS



**FLOOR ANCHORED OR CEILING HUNG  
(PILASTER SET @ 90°)**



**ALCOVE WITH ADJACENT STANDARD  
COMPARTMENTS**

BETWEEN WALL  
DIMENSION 48" -  
120" STANDARD  
ON 2" INCREMENTS

**Accurate**

Accurate Partitions Corp.

**POWDER COATED STEEL  
FLOOR-TO-CEILING, FLOOR  
ANCHORED, CEILING HUNG  
TYPICAL ALCOVE LAYOUTS**