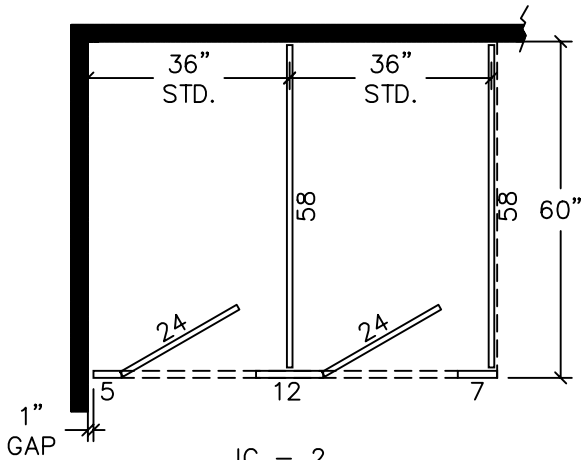


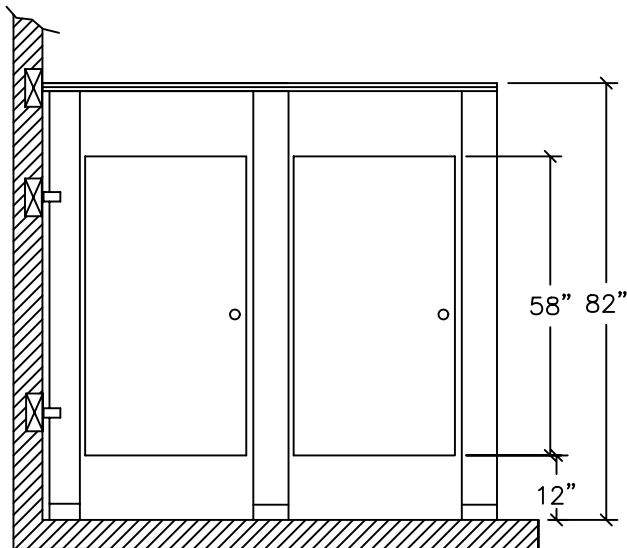
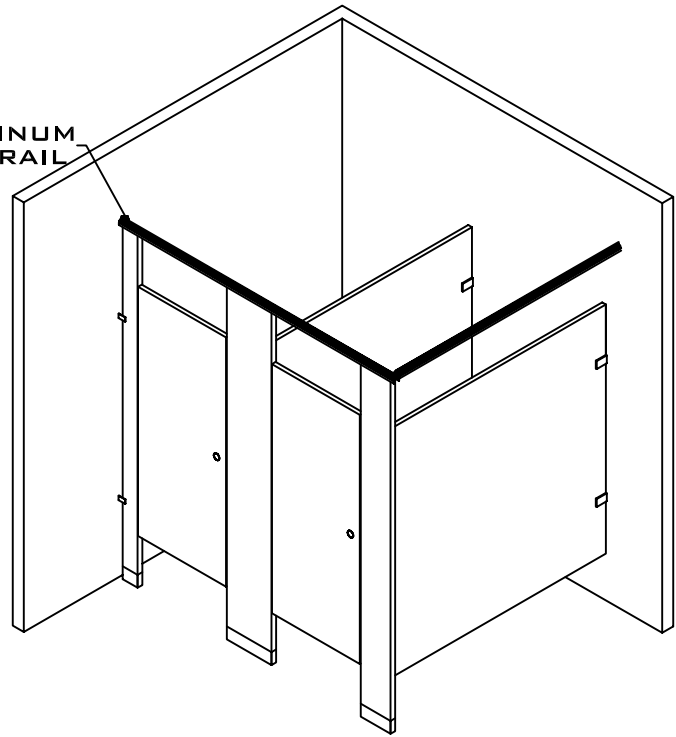
DETAILS

**POWDER COATED STEEL
FLOOR ANCHORED /
OVERHEAD BRACED
2.4**

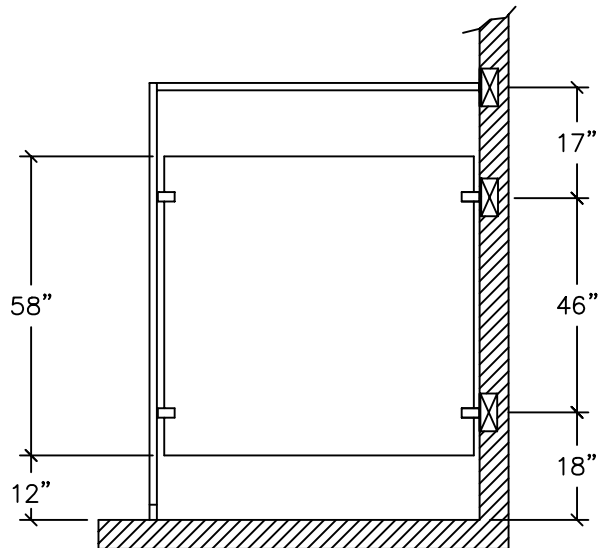


**IC - 2
STANDARD
CONFIGURATION**

**ALUMINUM
HEADRAIL**



FRONT ELEVATION



SIDE ELEVATION

 **BLOCKING IN WALL BY OTHERS**

Accurate

Accurate Partitions Corp.

**POWDER COATED STEEL
FLOOR ANCHORED /
OVERHEAD BRACED
NOT TO SCALE**