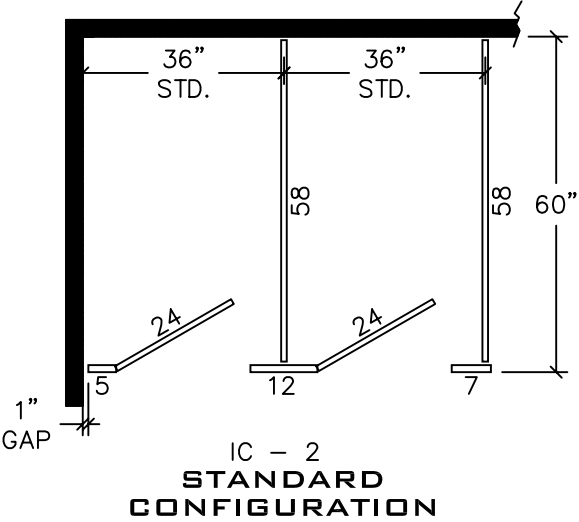
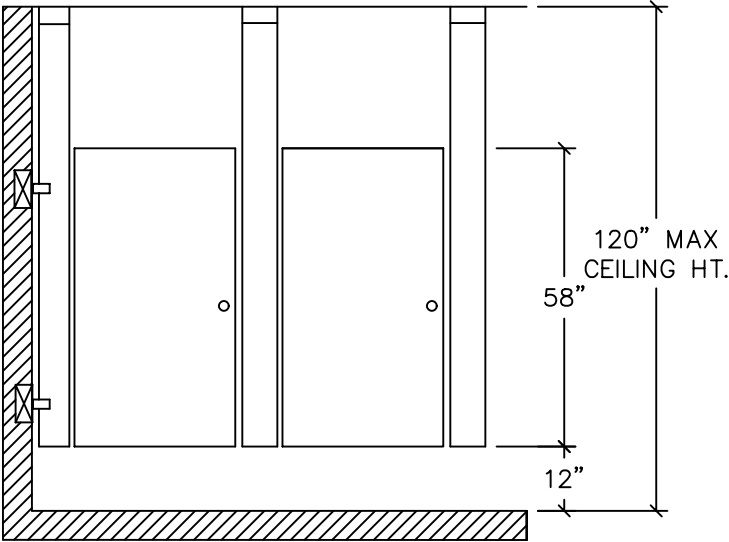
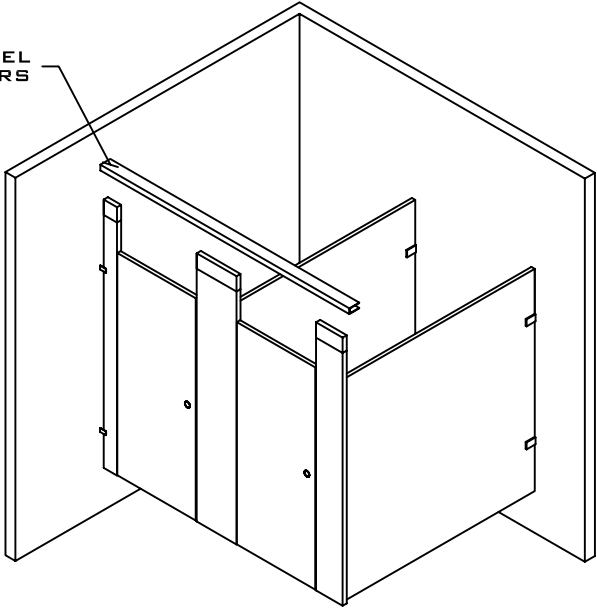


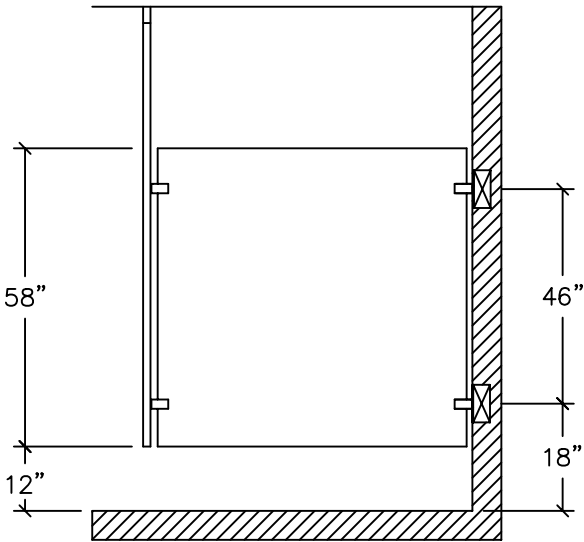
STAINLESS STEEL
CEILING HUNG
3.10



STRUCTURAL STEEL
BY OTHERS



FRONT ELEVATION



SIDE ELEVATION

⊠ BLOCKING IN WALL BY OTHERS