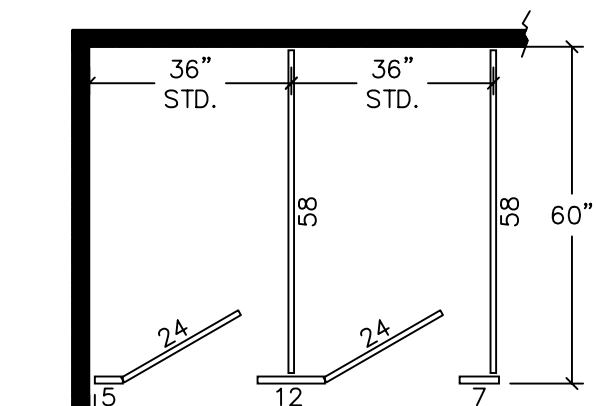
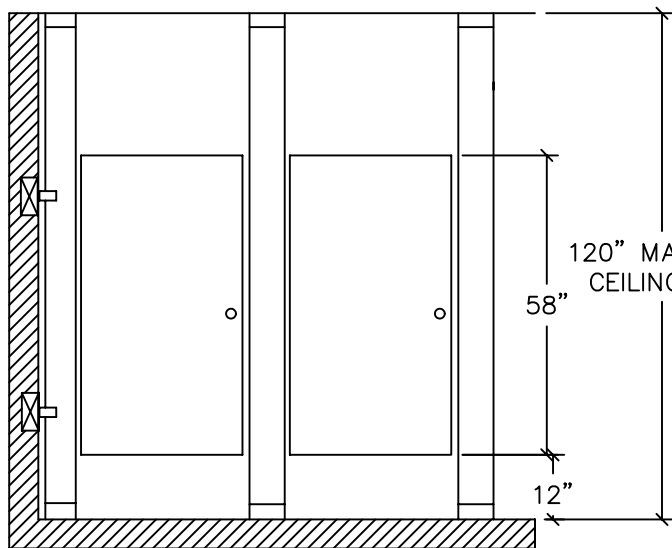
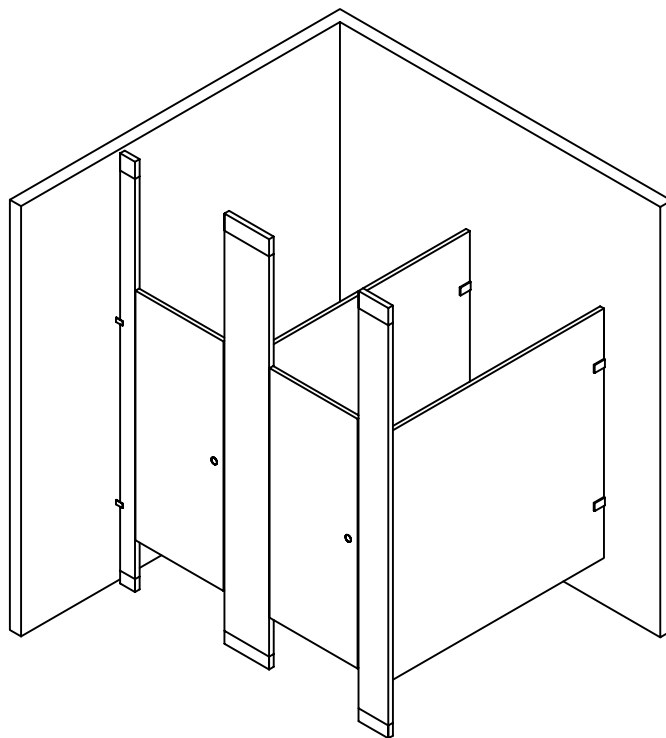


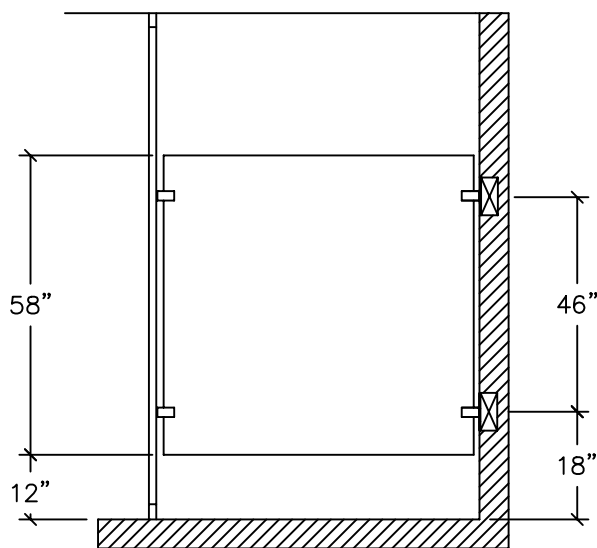
**STAINLESS STEEL
FLOOR-TO-CEILING ANCHORED
3.13**



**IC - 2
STANDARD
CONFIGURATION**



FRONT ELEVATION



SIDE ELEVATION

 **BLOCKING IN WALL BY OTHERS**