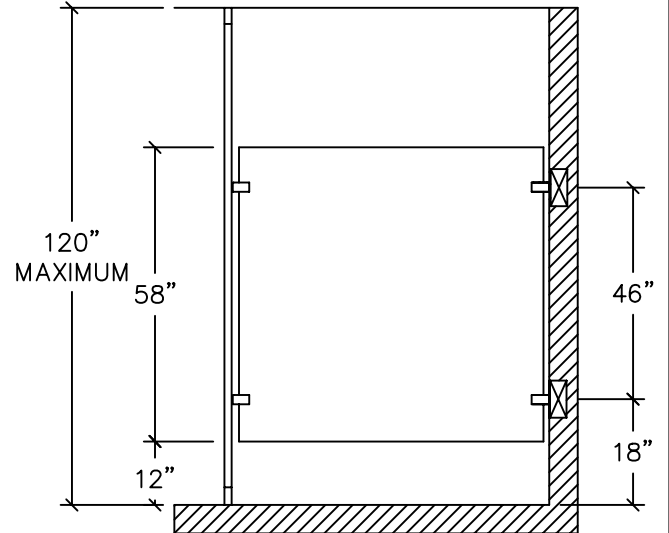
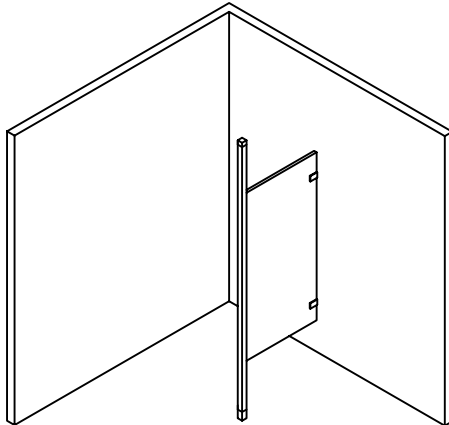
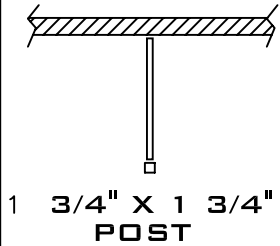


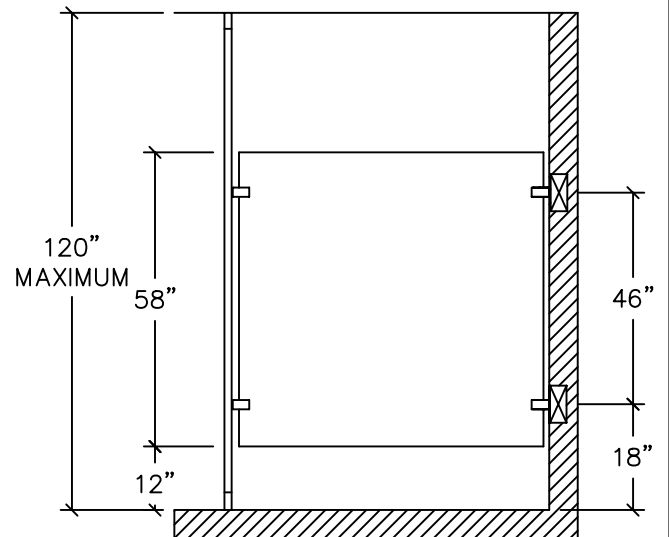
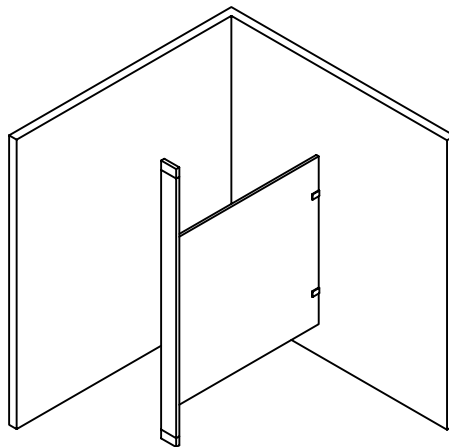
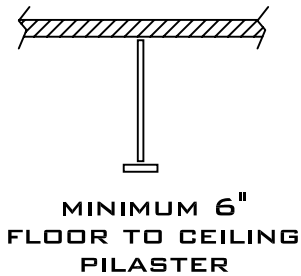
**STAINLESS STEEL
URINAL AND SIGHT SCREENS
3.18**

**FLOOR-TO-CEILING SIGHT SCREENS
WITH 1 3/4" X 1 3/4"
ALUMINUM OR POWDER COATED POST
TYPE D**



SIDE ELEVATION

**FLOOR-TO-CEILING SIGHT SCREENS
WITH POWDER COATED PILASTER**



SIDE ELEVATION

**SIGHT SCREENS ABOVE ARE 58" HIGH BY DEPTH REQUIRED
AVAILABLE WITH CHROME PLATED ZAMAC OR STAINLESS STEEL
STIRRUP BRACKETS OR CONTINUOUS ALUMINUM OR
STAINLESS STEEL BRACKETS**

BLOCKING IN WALL BY OTHERS