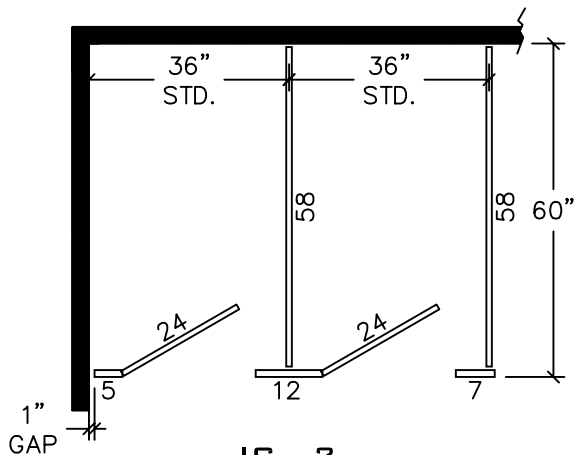
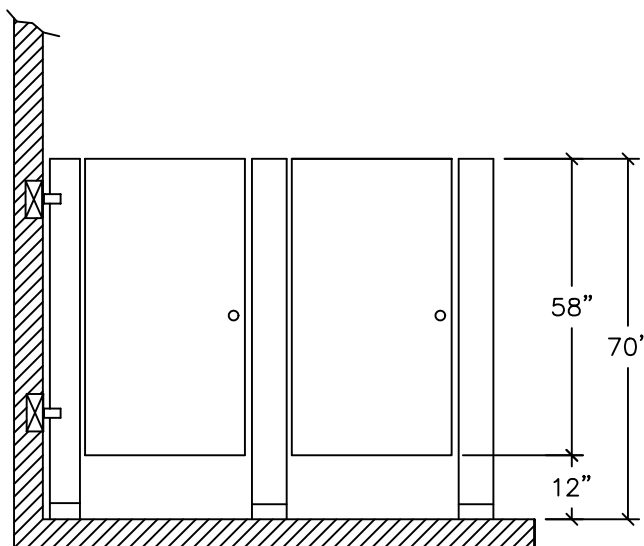
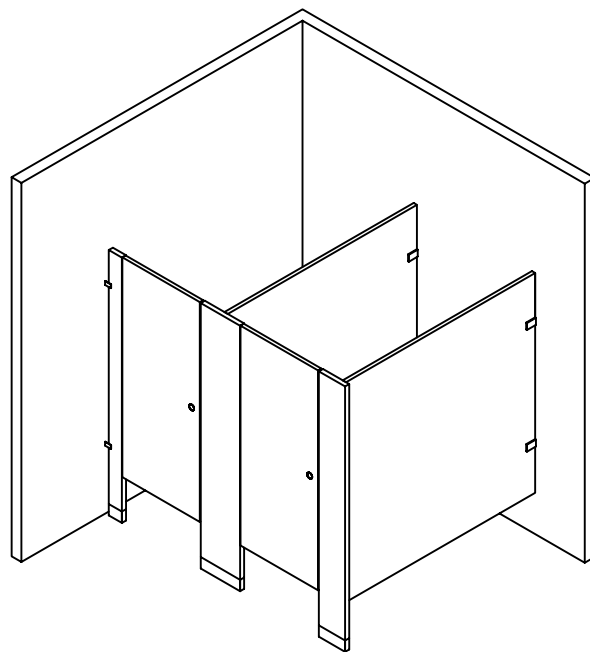


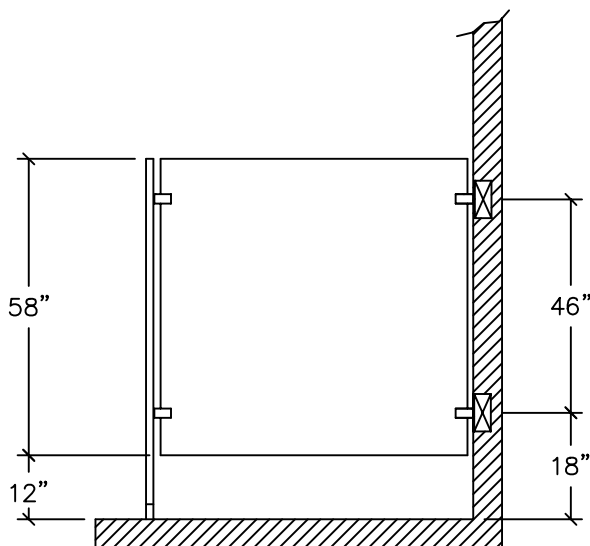
STAINLESS STEEL  
FLOOR ANCHORED  
3.7



IC - 2  
STANDARD  
CONFIGURATION



FRONT ELEVATION



SIDE ELEVATION

⊠ BLOCKING IN WALL BY OTHERS