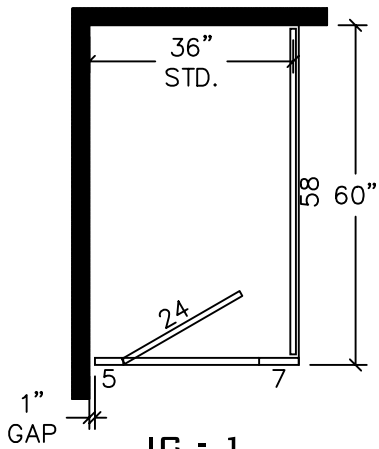
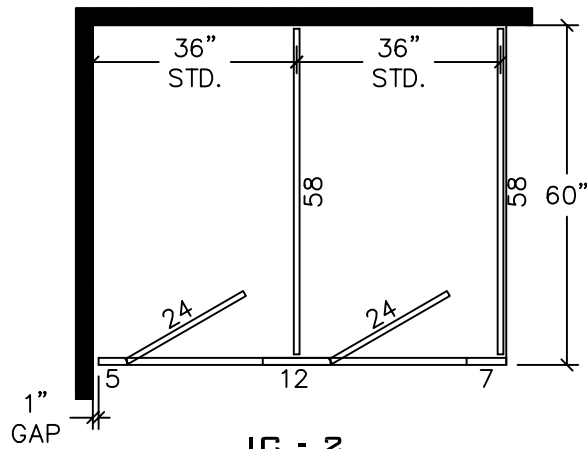


**SOLID PLASTIC
TYPICAL IN-CORNER
LAYOUTS
4.0**



**IC - 1
STANDARD
CONFIGURATION**



**IC - 2
STANDARD
CONFIGURATION**

