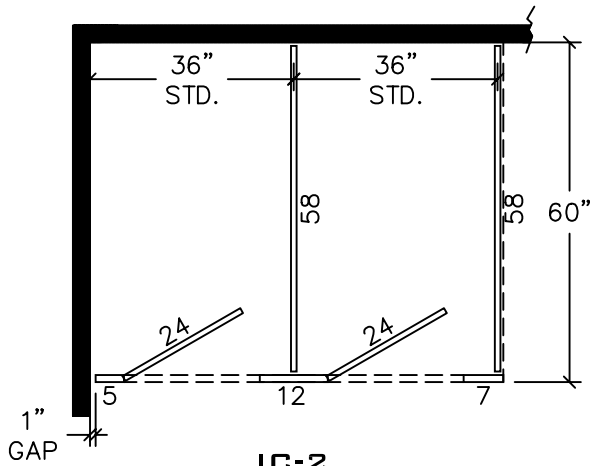
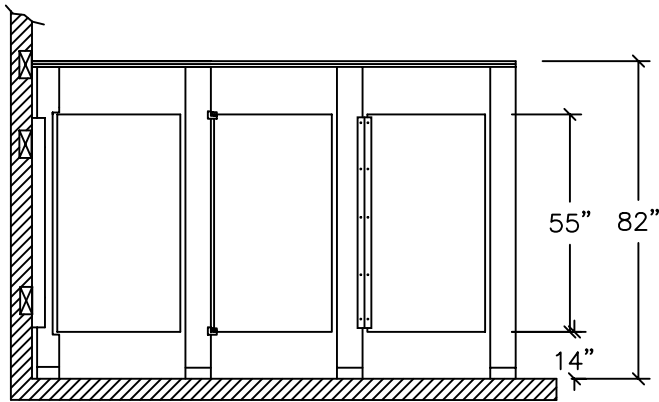
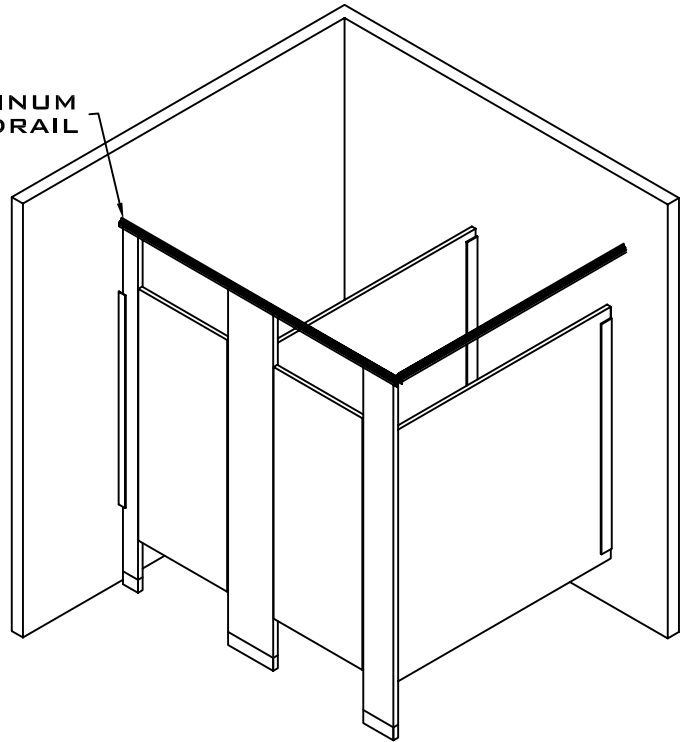


**SOLID PLASTIC  
FLOOR ANCHORED /  
OVERHEAD BRACED  
4.4**



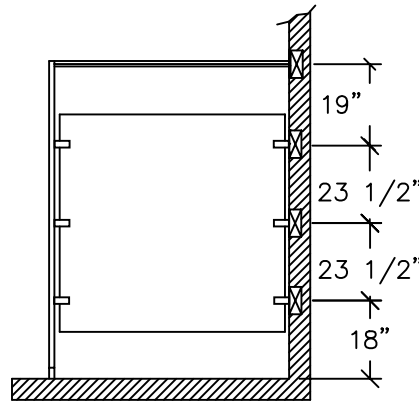
**IC-2  
STANDARD  
CONFIGURATION**

ALUMINUM  
HEADRAIL

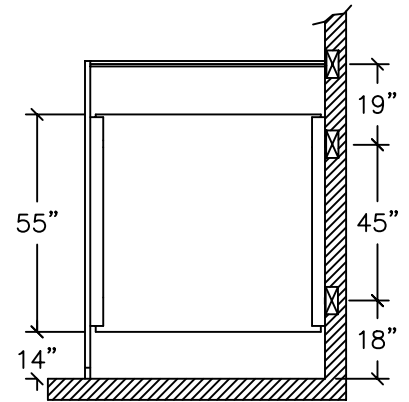


**INTEGRAL HINGE    VAULT HINGE    CONTINUOUS HINGE**

**FRONT ELEVATION**



**SIDE ELEVATION  
STIRRUP  
BRACKETS**



**SIDE ELEVATION  
CONTINUOUS  
BRACKETS**

 **BLOCKING IN WALL BY OTHERS**

**Accurate**  
Accurate Partitions Corp.

**SOLID PLASTIC  
FLOOR ANCHORED /  
OVERHEAD BRACED  
NOT TO SCALE**