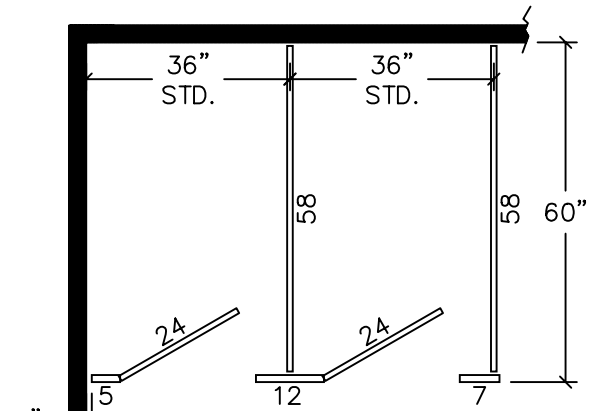
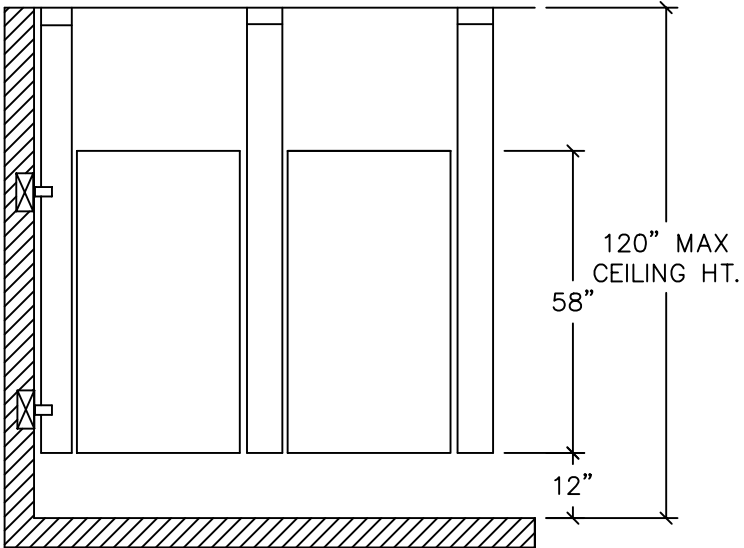
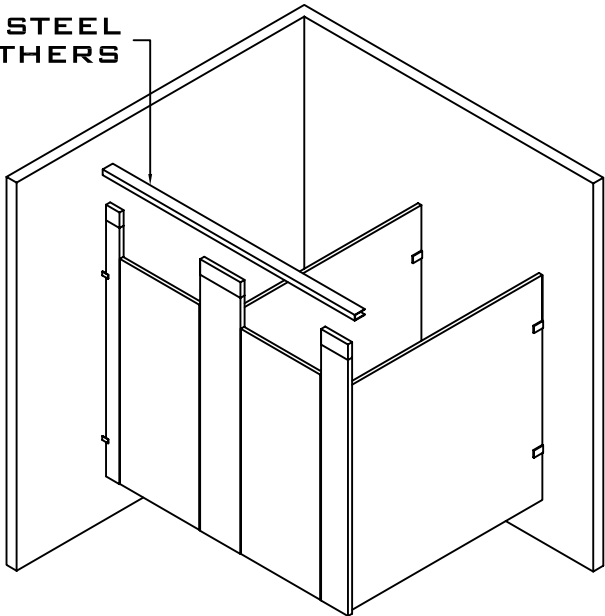


**PLASTIC LAMINATE  
CEILING HUNG  
5.10**

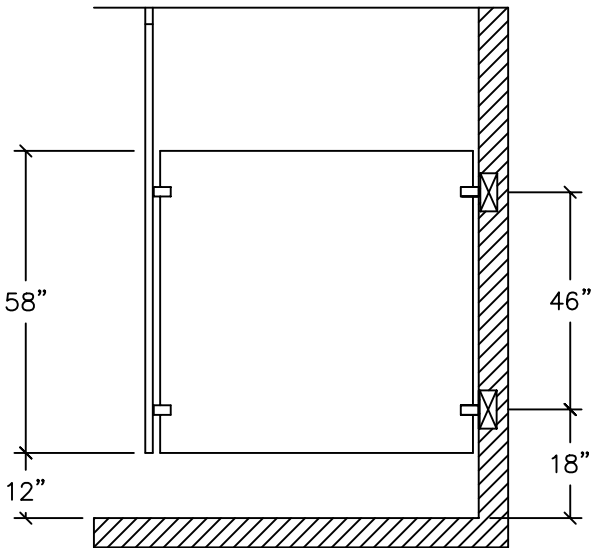


**IC - 2  
STANDARD  
CONFIGURATION**

**STRUCTURAL STEEL  
BY OTHERS**



**FRONT ELEVATION**



**SIDE ELEVATION**

**BLOCKING IN WALL BY OTHERS**