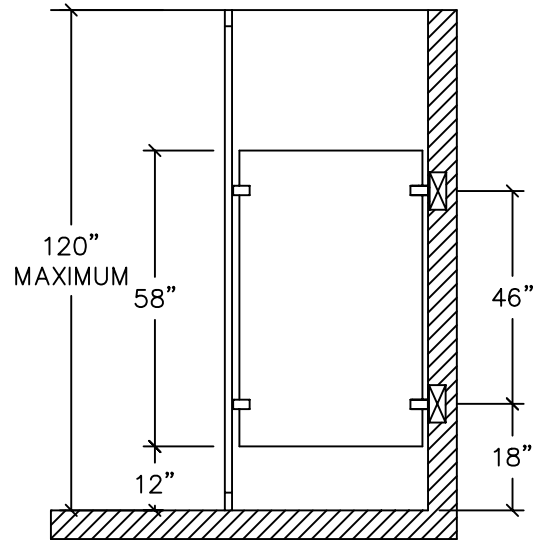
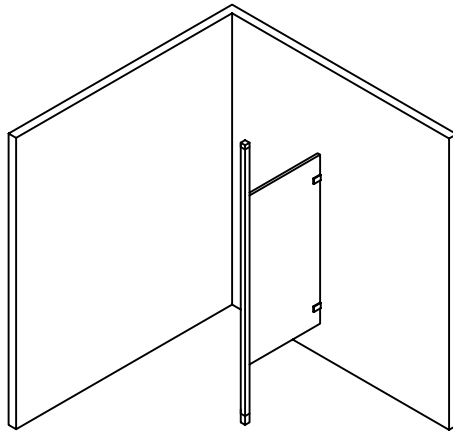
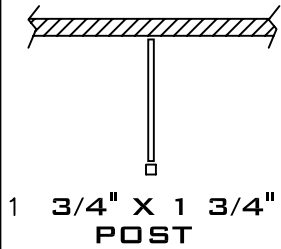
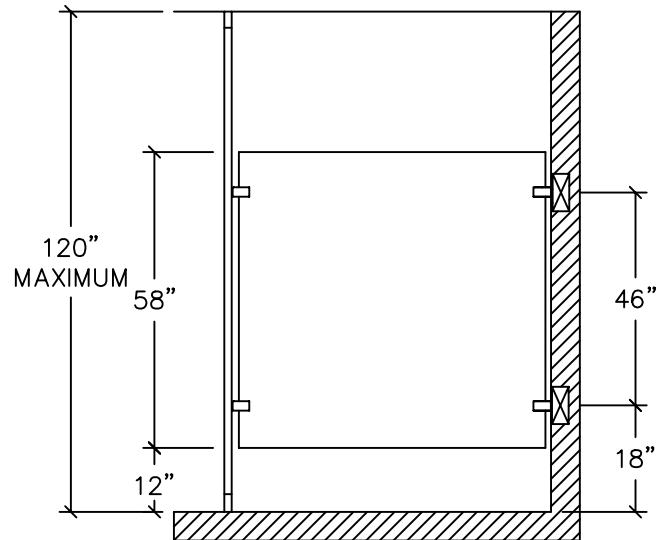
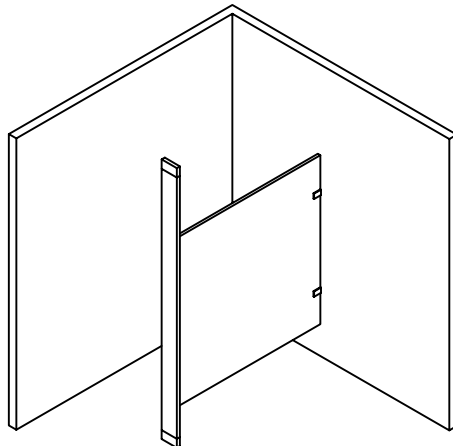


FLOOR TO CEILING SCREENS
WITH ALUMINUM 1 3/4" X 1 3/4" POST
TYPE D



SIDE ELEVATION

FLOOR TO CEILING SCREENS
WITH PLASTIC LAMINATE PILASTER



SIDE ELEVATION

SIGHT SCREENS ABOVE ARE 58" HIGH BY DEPTH REQUIRED
AVAILABLE WITH CHROME PLATED ZAMAC OR STAINLESS STEEL
STIRRUP BRACKETS OR CONTINUOUS ALUMINUM OR
STAINLESS STEEL BRACKETS

☒ BLOCKING IN WALL BY OTHERS