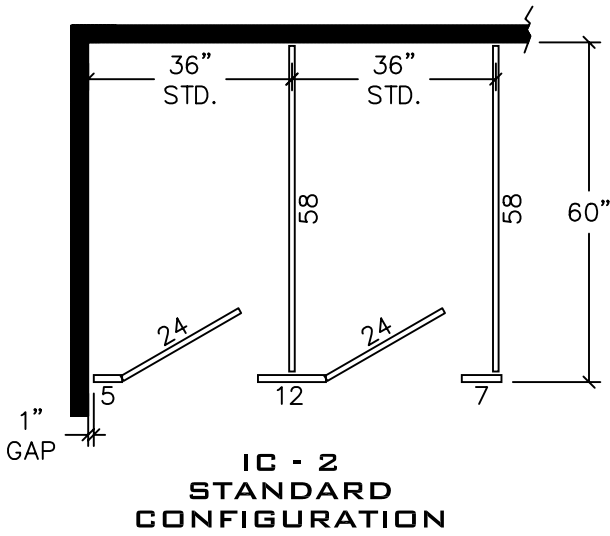
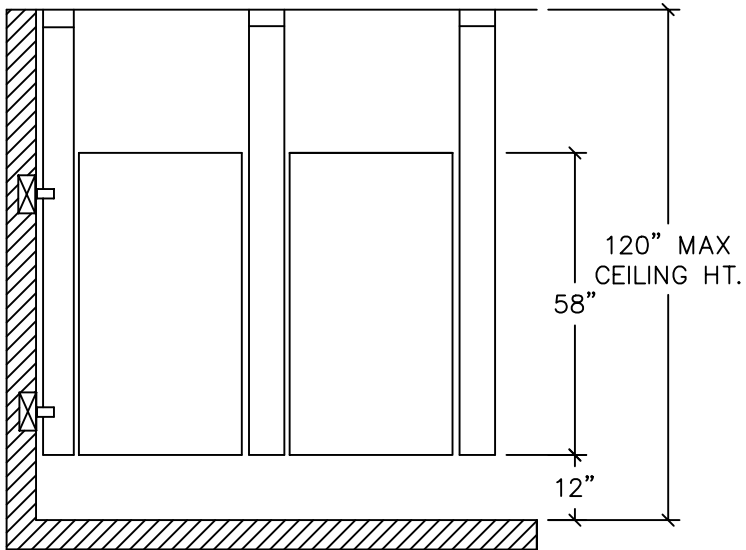
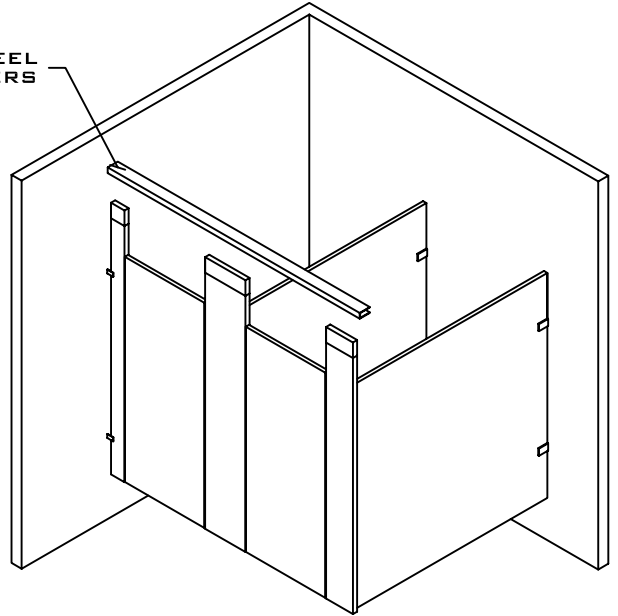


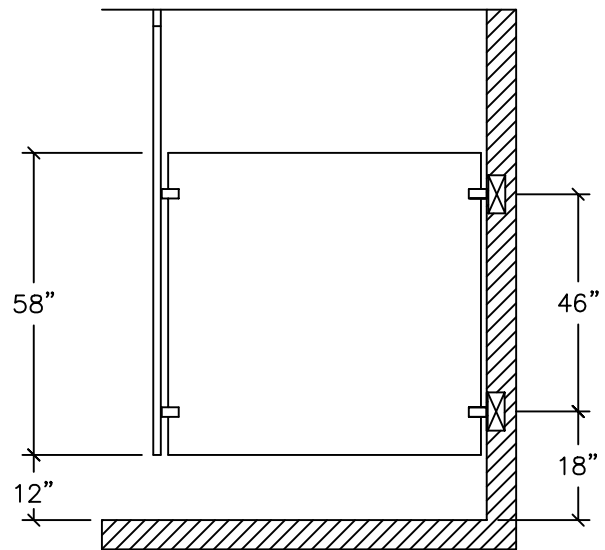
**PHENOLIC  
CEILING HUNG  
6.10**



STRUCTURAL STEEL  
BY OTHERS



**FRONT ELEVATION**



**SIDE ELEVATION**

 **BLOCKING IN WALL BY OTHERS**