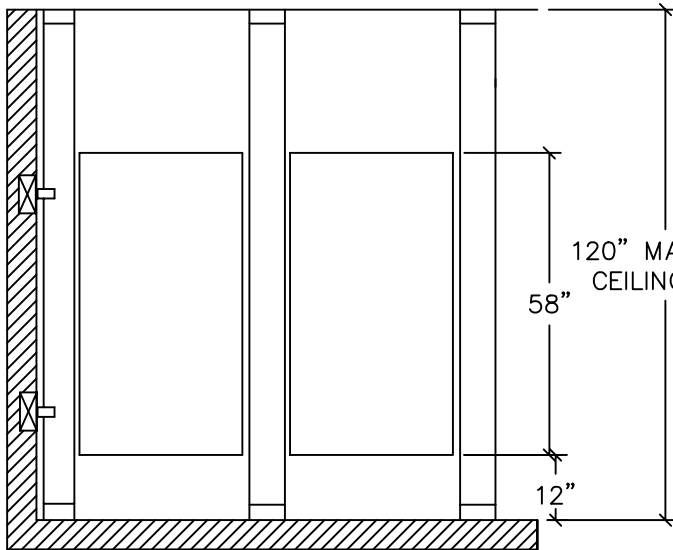
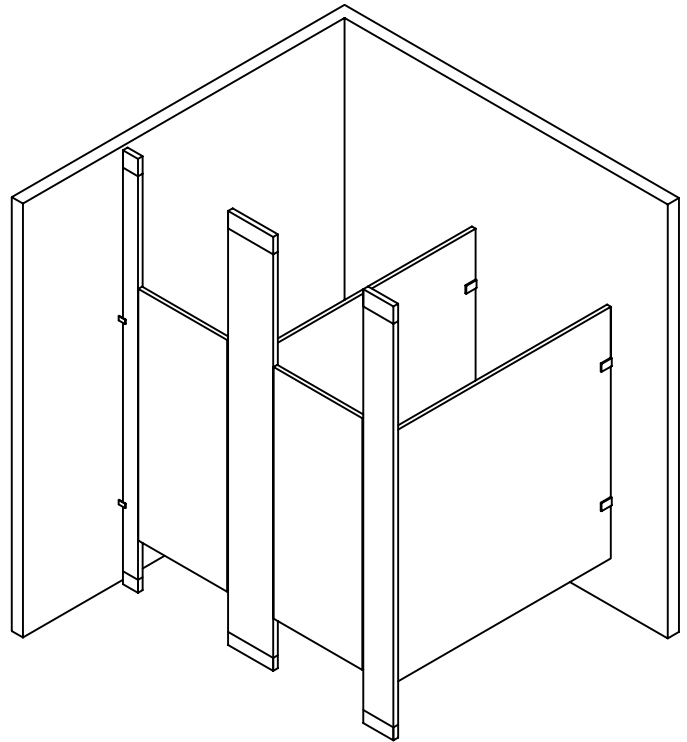
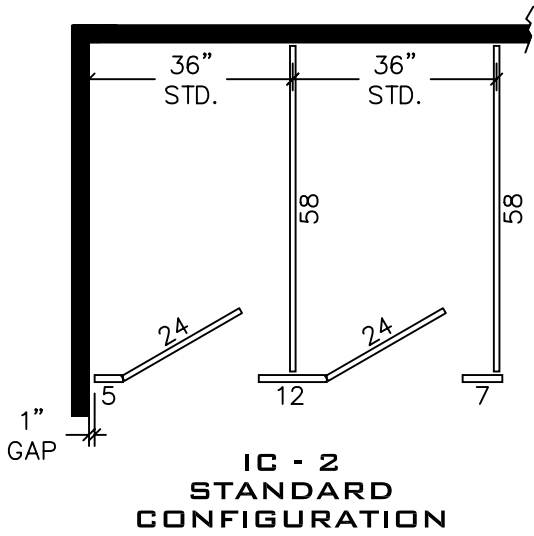
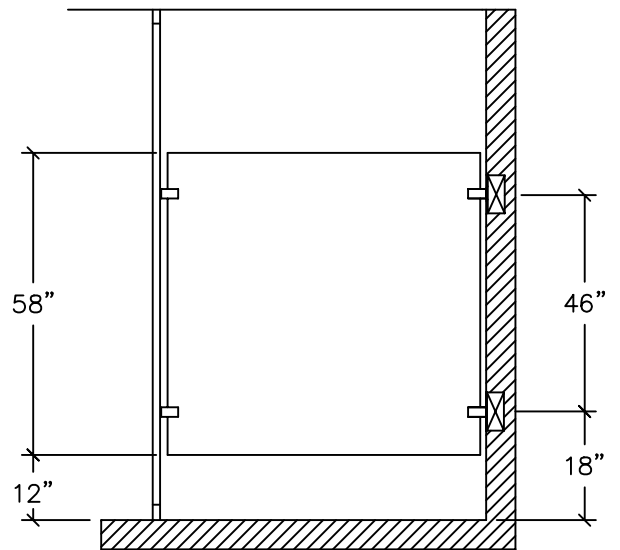


**PHENOLIC  
FLOOR-TO-CEILING ANCHORED  
6.13**



**FRONT ELEVATION**



**SIDE ELEVATION**

 **BLOCKING IN WALL BY OTHERS**