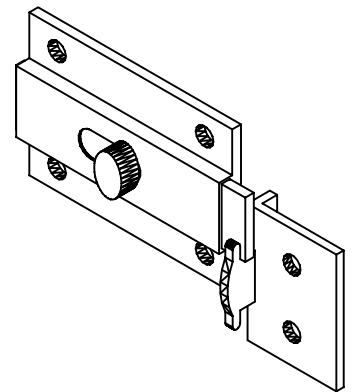
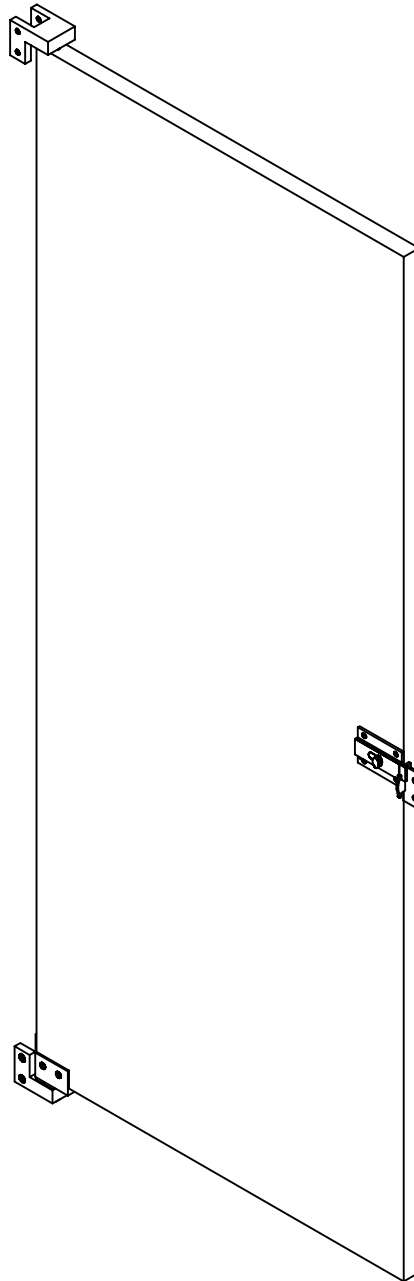
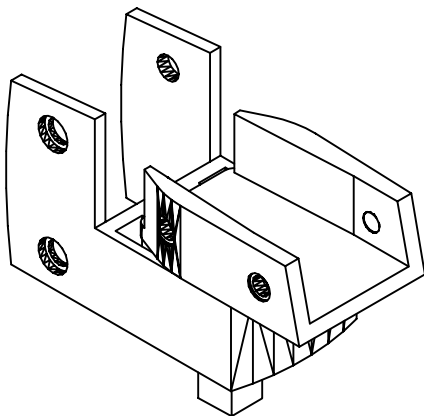


TOP HINGE



SLIDE LATCH
WITH LOCK



BOTTOM HINGE