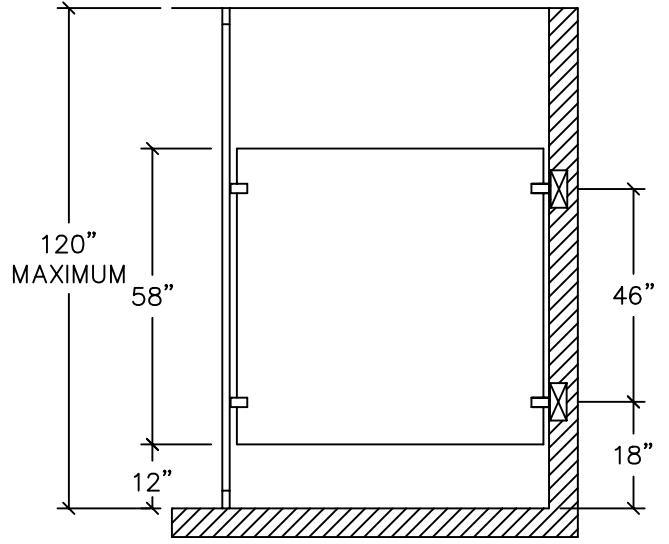
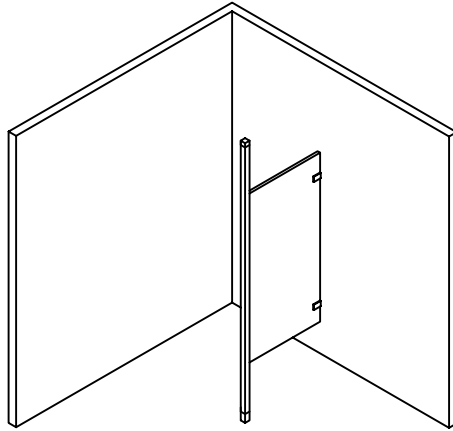
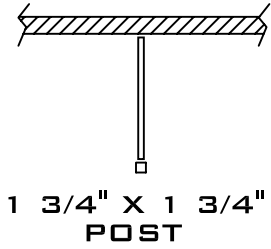
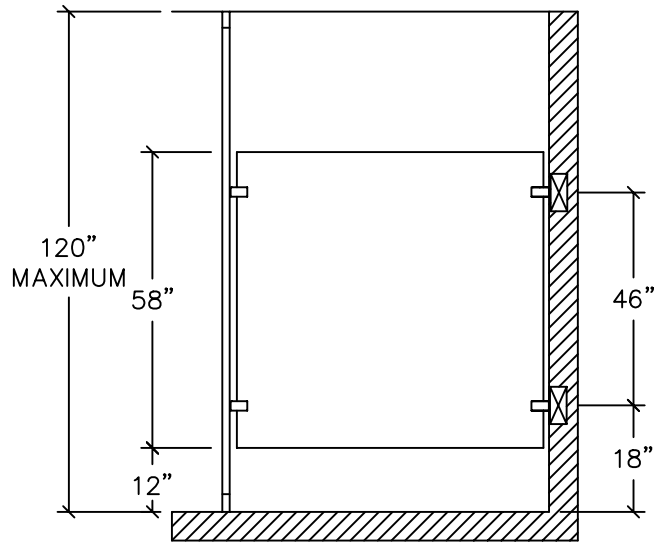
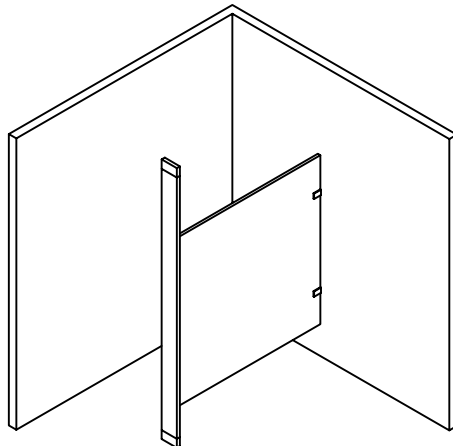


**FLOOR-TO-CEILING SCREENS  
WITH ALUMINUM 1 3/4" X 1 3/4" POST  
TYPE D**



**SIDE ELEVATION**

**FLOOR-TO-CEILING SITE SCREEN  
WITH POWDER COATED PILASTER**



**SIDE ELEVATION**

**SCREENS ABOVE ARE 58" HIGH BY DEPTH REQUIRED  
AVAILABLE WITH STAINLESS STEEL  
STIRRUP BRACKETS OR CONTINUOUS  
STAINLESS STEEL BRACKETS**

 **BLOCKING IN WALL BY OTHERS**