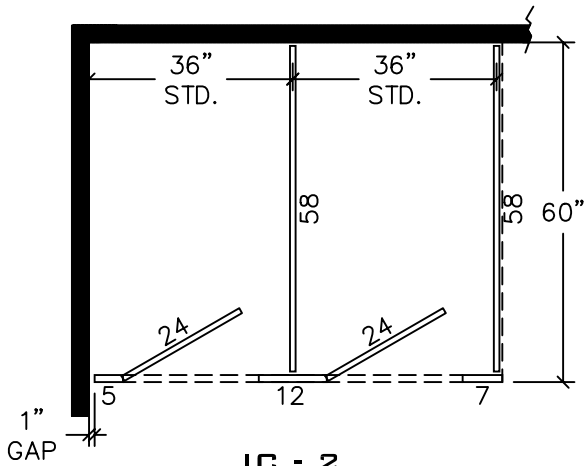
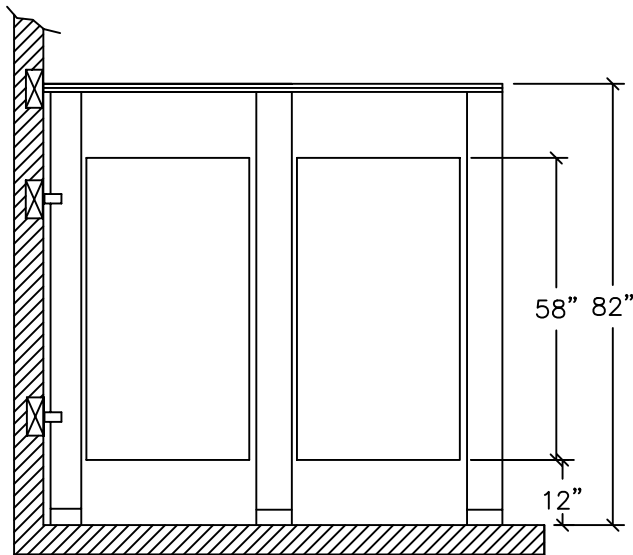
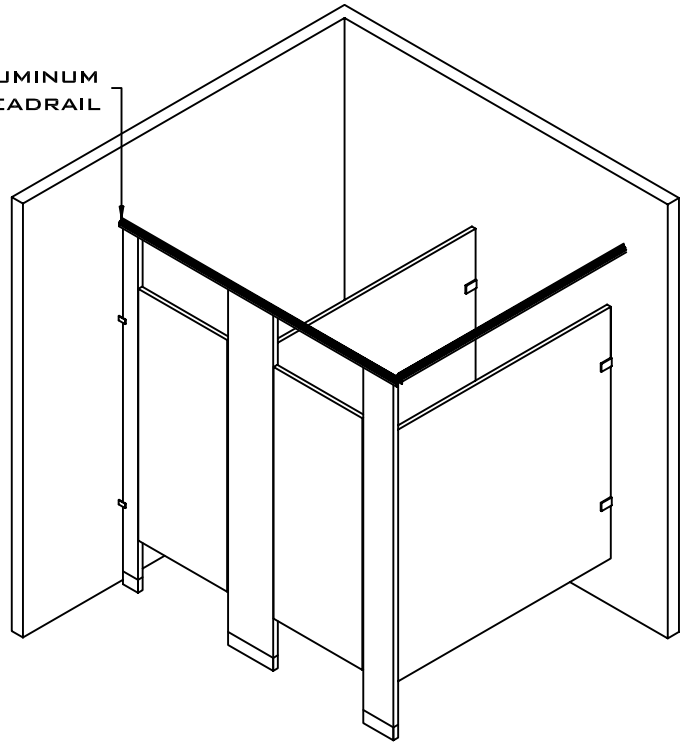


**PHENOLIC  
FLOOR ANCHORED /  
OVERHEAD BRACED  
6.4**

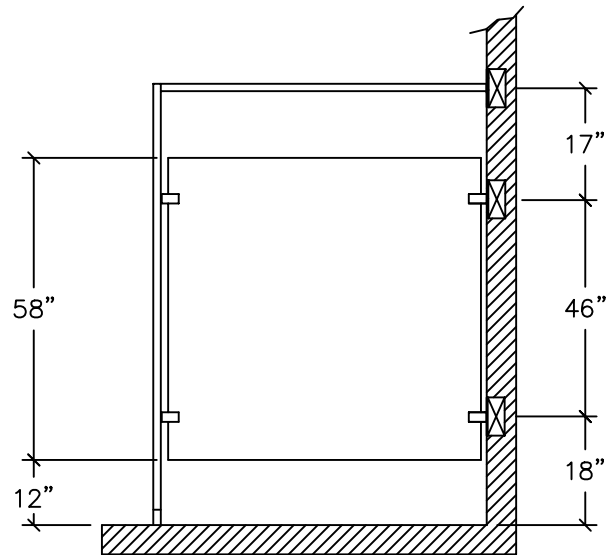


**IC - 2  
STANDARD  
CONFIGURATION**

ALUMINUM  
HEADRAIL



**FRONT ELEVATION**



**SIDE ELEVATION**

 **BLOCKING IN WALL BY OTHERS**

**Accurate**  
Accurate Partitions Corp.

**PHENOLIC  
FLOOR ANCHORED /  
OVERHEAD BRACED  
NOT TO SCALE**