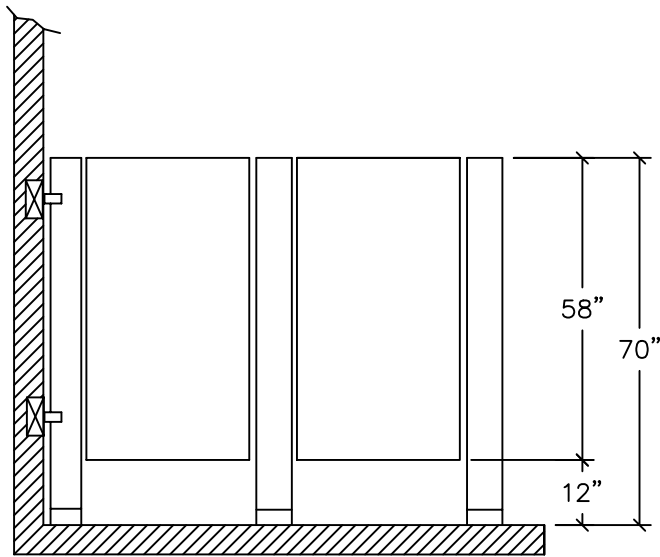
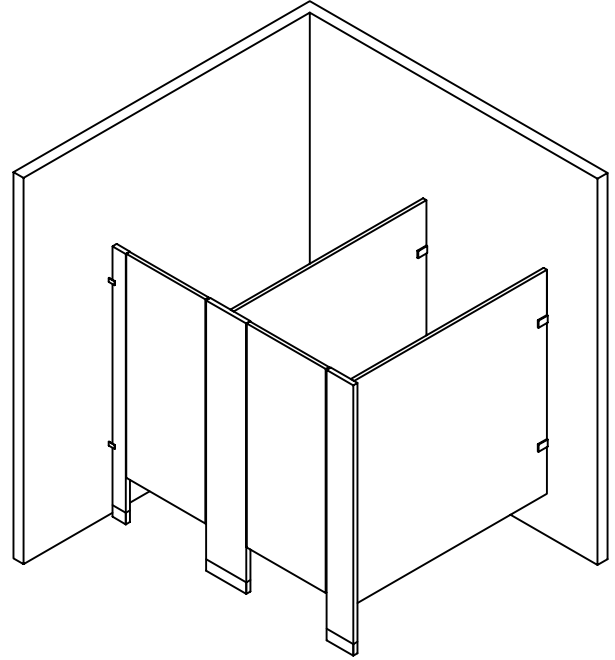
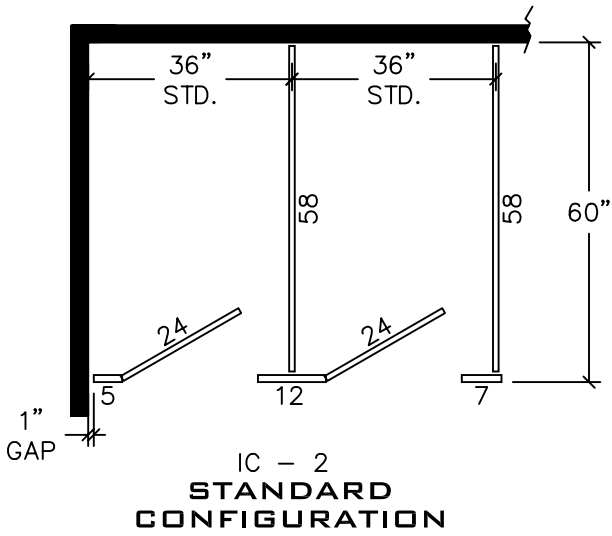
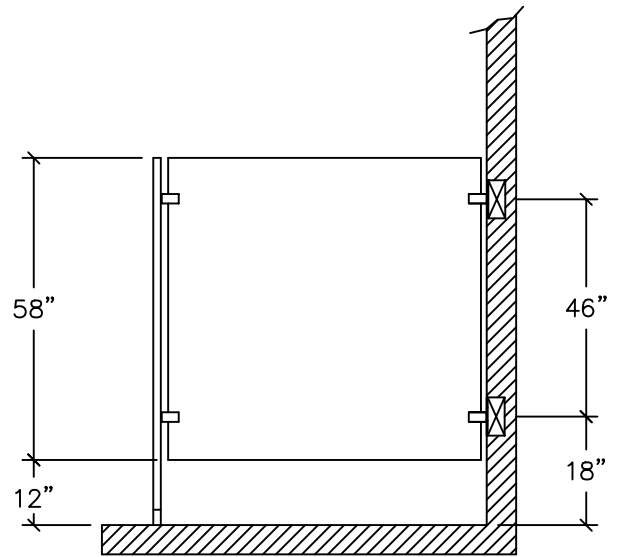


**PHENOLIC  
FLOOR ANCHORED  
6.7**



**FRONT ELEVATION**



**SIDE ELEVATION**

 **BLOCKING IN WALL BY OTHERS**

**Accurate**  
Accurate Partitions Corp.

**PHENOLIC  
FLOOR ANCHORED  
COMPARTMENTS  
NOT TO SCALE**