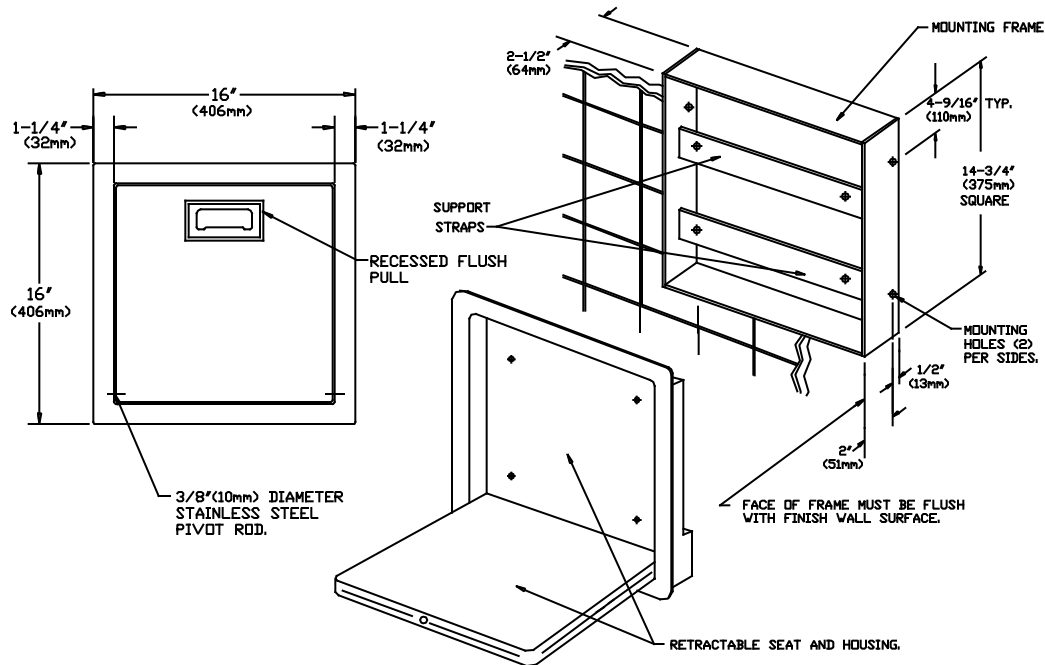




AMERICAN SPECIALTIES, INC.
441 Saw Mill River Road, Yonkers, NY 10701 (914) 476-9000

MODEL No:	0010-A
ISSUED:	1-87
REVISED:	9-96

RETRACTABLE SHOWER SEAT



SPECIFICATION

Retractable Shower Seat and frame shall be fabricated of alloy 18-8 stainless steel, type 304 N^o 16 gauge with N^o 4 satin finish. Seat shall be double pan construction, 16 gauge, with welded perimeter seam and edges shall be reinforced internally. Seat shall have flush recessed stainless steel pull handle accessible when unit is closed and shall pivot on 3/8" (10mm) diameter solid stainless steel rod. Seat housing shall be fabricated of 1/8" (3mm) thick same grade and finish stainless steel with face trim miters welded and ground smooth. Mounting frame shall be fabricated of 3/16" (5mm) thick plated and painted steel with support straps welded on and shall have tapped holes to accept seat housing. Mounting frame shall have four (4) 13/32" diameter mounting holes, two (2) per side. Retractable Shower Seat shall be capable of sustaining a weight of 500 pounds when anchored to suitable frame.

Retractable Shower Seat shall be Model N^o 0010-A as fabricated by American Specialties, Inc. 441 Saw Mill River Road Yonkers, New York 10701-4913.

INSTALLATION

Install outside edge of mounting frame flush with finished wall surface. Use suitable fasteners (by others) through holes provided in side members to attach frame to wall structure. Ensure that installation meets all applicable codes. Install and secure retractable seat into mounting frame with four (4) 1/4-20 tamper resistant stainless steel machine screws (supplied) through holes provided. For compliance with ADA Accessibility Guidelines, install unit 17" (432mm) min. AFF to - 19" (483mm) max. AFF.

CAUTION

Shower seat is no stronger than anchors or wall to which they are attached. Shower seat must be firmly and securely attached to sustain loads which it is intended to support.

Rough wall Opening (RWO) required is 15" W x 15" H x 2-3/4" D (381mm x 381mm x 70mm).

OPERATION

Use the recessed flush pull to disengage the seat and lower it to the horizontal sitting position. When not in use, return the seat to the vertical storage position.

Accessory Specialties

AMERICAN DISPENSER

Desert Ray Products

WATROUS INC.