



AMERICAN SPECIALTIES, INC.

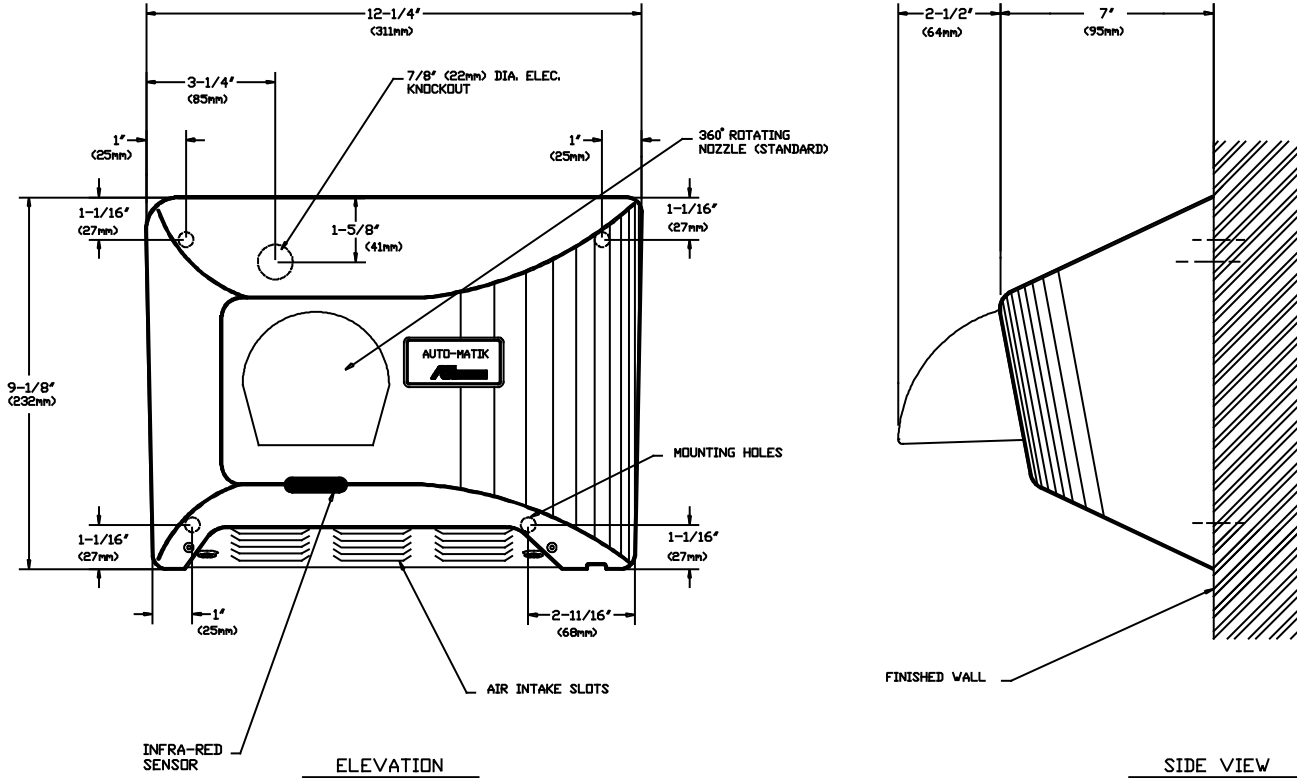
441 Saw Mill River Road, Yonkers, NY 10701 (914) 476-9000

MODEL No: 0150-0153

ISSUED: 1-87

REVISED: 7-99

SURFACE MOUNTED SENSOR HAND DRYER (pg 1/2)



SPECIFICATION

Surface Mounted Hand Dryer with cast iron cover and porcelain enamel finish shall operate automatically from IR sensor that shall activate dryer when hands are placed in sensor zone and shall turn off when hands are removed from sensor zone. Motor and heating element shall have internal resetting automatic thermal protection. Cover shall be fabricated of one-piece, heavy-duty cast iron 1/4" (6.4mm) thick, and shall have all exposed surfaces finished with acid, chip and scratch resistant porcelain enamel. Nozzle shall be heavy-duty, rust proof, triple-plated chrome and shall rotate freely 360° unless internally locked by owner option, and any liquids introduced shall drain out prior to reaching any internal elements. Air intake slots and nozzle shall not allow access to internal parts. Back plate shall be furnished with vibration isolating mounting bushings. Circuitry shall have self-adjusting time-out and fail-safe off protection controlled by a microprocessor that shall detect and reject false signals and shall automatically self-calibrate to provide uniform sensitivity over its entire lifespan. The infra red sensor shall be protected by a heavy-duty polycarbonate lens frequency match-tinted to filter out ambient light. Entire unit shall be internally electrically grounded. Dryer shall be UL , CE and CSA listed. All component parts are warranted to be free of defects in material and workmanship for a period of ten (10) years.

Surface Mounted Sensor Hand Dryer shall be Model № 0150 (or №0153) of American Specialties, Inc., 441 Saw Mill River Road, Yonkers, NY 10701-4913.

INSTALLATION

Unit is surface mounted on wall with four (4) 1/4" screws or bolts (not supplied) through bushings in a corrosion protected formed heavy steel back plate. Electrical service is supplied and connected (by others) prior to installing cover. Cover is secured to back plate with recessed, flat-head, tamper resistant, pin-hex bolts (supplied). For compliance with ADA Accessibility Guidelines, unit should be installed so that bottom of sensor lens is 54" (1372mm) maximum above finished floor (AFF) if clear floor side reach access is provided or 48" (1219mm) max. AFF if clear floor forward reach access is only provided. For general utility install unit so that sensor lens is 45" to 50" (143mm to 1270mm) AFF.

Accessory Specialties

AMERICAN DISPENSER

Desert Ray Products

WATROUS INC.



AMERICAN SPECIALTIES, INC.

441 Saw Mill River Road, Yonkers, NY 10701 (914) 476-9000

MODEL No: 0150-0153

ISSUED: 1-87

REVISED: 7-99

SURFACE MOUNTED SENSOR HAND DRYER (pg 2/2)

OPERATION

Dryer is activated by user placing hands in the sensor zone. Dryer remains active until hands are removed from sensor zone. Nozzle may be rotated by user at any time to redirect air flow unless owner has locked rotation during installation.

RATINGS

MODEL #	TYPE	TIMING	VOLTS	AMP	WATTS	COLOR*
0150	Hand	Automatic	120v/60Hz.	17.5	2000	White
0153	Hand	Automatic	208-240v/60Hz.	8.8	2000	White

TYPE	H/P	RPM	FAN TYPE	CFM	HEATING ELEMENT	OUTPUT
Brushless	1/8	3200	Single Inlet Centrifugal	153	2000 Watt Nichrome wire with auto reset circuit breaker	138° F ± 2@ 70° ambient room temp

COLOR OPTIONS*

Unit is supplied with white finish unless color option is specified. Specify optional color by adding appropriate code number suffix to standard model number (i.e. 0150-40) and indicate option by circle on correct code in chart. For color chips see the **OPTIONS** Section.

CODE	COLOR	CODE	COLOR
40	Cool Grey	71	Almond
41	Black	87	Desert Sand