



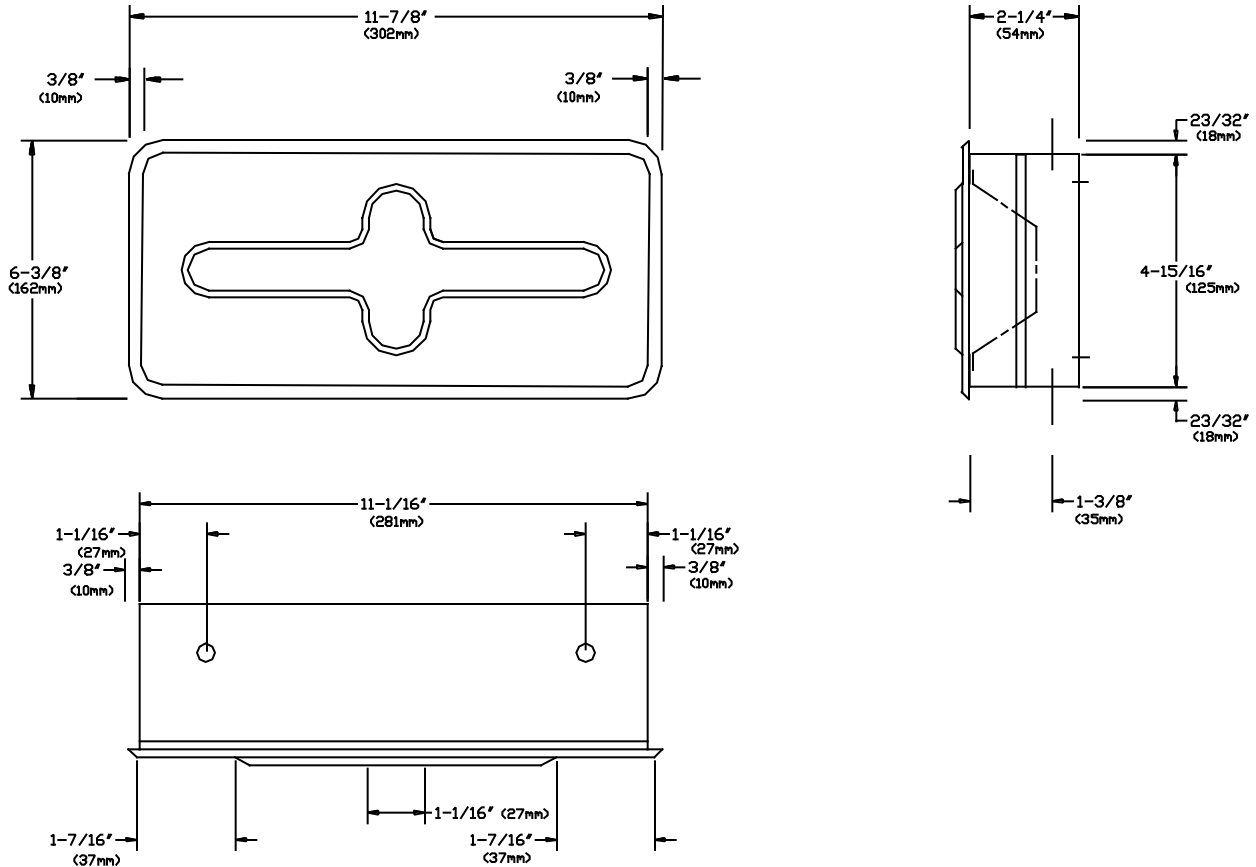
AMERICAN SPECIALTIES, INC.
441 Saw Mill River Road, Yonkers, NY 10701 (914) 476-9000

MODEL No: 0259-B

ISSUED: 1-87

REVISED: 9-96

RECESSED TISSUE DISPENSER



SPECIFICATION

Recessed Tissue Dispenser shall hold and dispense 50 two-ply sheets or 300 single sheets. Cover shall be fabricated of alloy 18-8 stainless steel, N^o 22 gauge with bright polished finish and shall be protected during shipment with a PVC film easily removable after installation. Cover shall be held closed by concealed hooks located on each side that fit into clips inside cabinet. Cabinet shall be fabricated of N^o 26 gauge corrosion resistant steel. Tissue dispensing slot shall be smooth and rounded. Cabinet shall have mounting holes located all around.

Recessed Tissue Dispenser shall be Model N^o 0259-B as fabricated by American Specialties, Inc., 441 Saw Mill River Road, Yonkers, New York 10701-4913

INSTALLATION

For general utility mount dispenser 48" - 60" (1219mm -1524mm) above finished floor (AFF) from top of dispenser. Secure dispenser with screws (supplied) through mounting holes in rear of cabinet. For compliance with ADA Accessibility Guidelines, install unit so that tissue dispensing slot is 54" (1372mm) maximum above AFF if clear floor side reach access is provided or 48" (1219mm) maximum AFF if clear floor forward reach access is provided or 46" (1168mm) maximum AFF if side reach over obstruction is only provided (i.e. vanity).

Rough wall opening (RWO) required is 11-1/4" W x 5-1/4" H x 2-1/8" D (285mm x 133mm x 54mm)

OPERATION

Tissues are manually retrieved through the tissue dispensing slot. To refill the dispenser, remove the cover by disengaging the hooks from the side wall clips and reload with fresh opened supply box. Feed first sheet through the slot to start, then replace the cover. Supply is replenished on a cycle determined by maintenance needs.

Accessory Specialties

AMERICAN DISPENSER

Desert Ray Products

WATROUS INC.