



AMERICAN SPECIALTIES, INC.

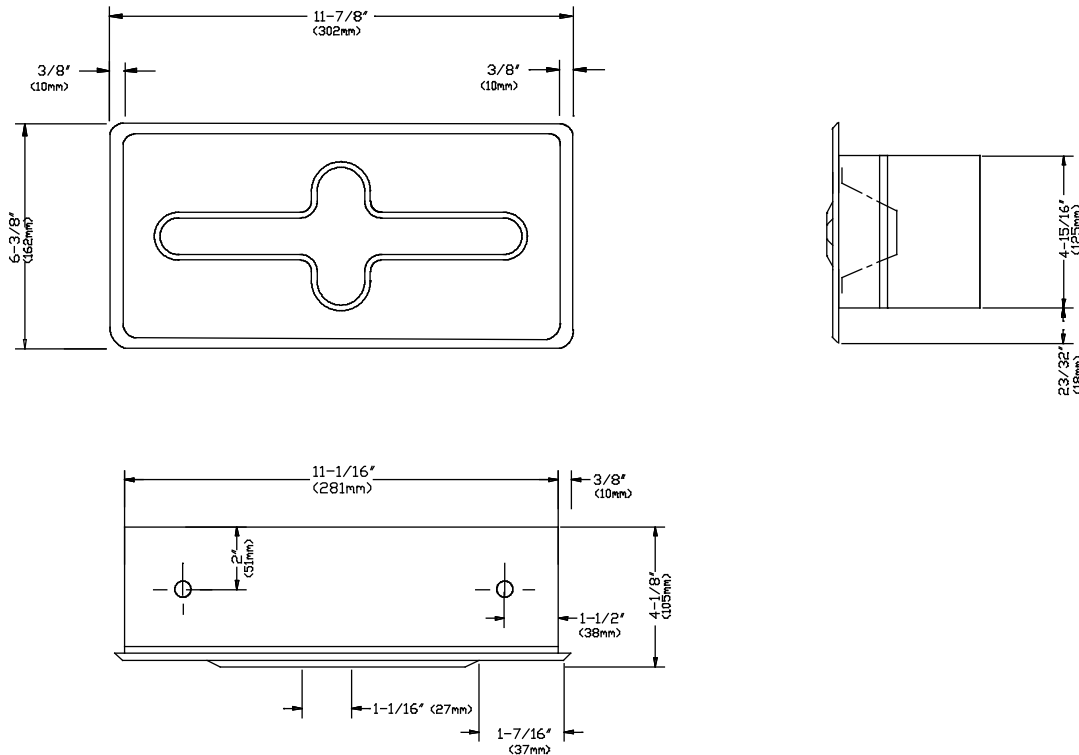
441 Saw Mill River Road, Yonkers, NY 10701 (914) 476-9000

MODEL No: 02594-SS

ISSUED: 1-87

REVISED: 12-96

RECESSED FACIAL TISSUE DISPENSER



SPECIFICATION

Recessed Facial Tissue Dispenser shall hold and dispense 300 two-ply sheets or 600 single sheets. Cover shall be fabricated of alloy 18-8 stainless steel, type 304, N^o22 with N^o4 satin finish and be protected during shipment with a PVC film easily removable after installation. Cover shall be held closed by hooks located on each side and shall correspond to clips located on side walls of dispenser body. Cover shall be supplied with dispensing slot and shall be smooth and rounded. Cabinet shall have mounting holes located all around.

Recessed Facial Tissue Dispenser shall be Model N^o02594-SS as manufactured by American Specialties, Inc. 441 Saw Mill River Road, Yonkers, New York 10701-4913.

INSTALLATION

For general utility mount dispenser 48"- 60" (1219mm-1524mm) above finished floor (AFF) from top of dispenser. Secure dispenser with screws (supplied) through mounting holes in rear of cabinet. For compliance with ADA Accessibility Guidelines, install unit so that dispensing slot is 54" (1372mm) maximum AFF if clear floor side reach access is provided or 48" (1219mm) maximum AFF if clear floor forward reach access is only provided or 46" (1168mm) maximum AFF if side reach over obstruction (i.e. vanity) is only provided.

Rough wall opening (RWO) required is 11-3/8" W x 5-1/8" H x 4-1/8" D (289mm x 130mm x 105mm)

OPERATION

Tissues are manually retrieved through the dispensing slot. To refill the dispenser, remove the cover by disengaging the hooks from the side wall clips and reload with fresh supply box. Fit the first sheet through the slot to start, then replace the cover. Supply is replenished on a cycle determined by maintenance needs.

OPTIONS

For optional bright polished finish, add suffix B to Model N^o (e.g. 02594-SSB).

Accessory Specialties

AMERICAN DISPENSER

Desert Ray Products

WATROUS INC.