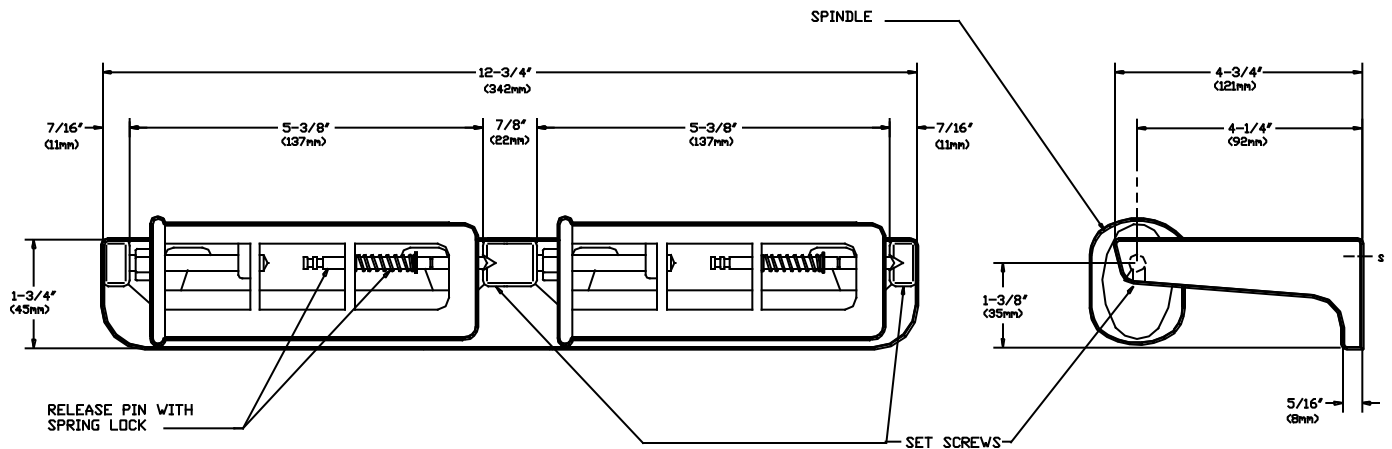




**AMERICAN SPECIALTIES, INC.**  
441 Saw Mill River Road, Yonkers, NY 10701 (914) 476-9000

MODEL No:	0264-1A2
ISSUED:	1-87
REVISED:	9-96

## SURFACE MOUNTED DOUBLE ROLL TOILET TISSUE HOLDER



### SPECIFICATION

Surface Mounted Double Roll Tissue Holder with Theft-Resistant, keylocked, free delivery spindles shall hold and dispense all standard core roll tissue, up to 6" dia. (152mm) and be fabricated of cast aluminum with a satin matte silver-gray finish. Spindles shall be fabricated of impact resistant, ABS thermoplastic and be theft resistant with a concealed release mechanism and locking screw that shall be removable only with a hex key. Spindles rotate freely and have no limit stop. Roll core shall not be removable from spindle until tissue is exhausted.

Surface Mounted Double Roll Tissue Holder with Theft-Resistant, keylocked, free delivery spindles shall be Model N° 0264-1A2 as fabricated by American Specialties, Inc. 441 Saw Mill River Road Yonkers, New York 10701-4913.

### INSTALLATION

Unit is surface mounted on wall or partition using N°10 self tapping screws (supplied). For compliance with ADA Accessibility Guidelines unit should be installed so that tissue roll centerline is between 44" (1118mm) maximum above finished floor (AFF) and 19" (483mm) minimum AFF. Recommended mounting height is 32" (815mm) from center line of holder AFF.

### OPERATION

Spindles rotate freely. Roll core prevents access to release pin and cannot be removed from spindles until tissue is exhausted and screw is loosened with key. Unit is replenished by releasing a concealed pin which in turn releases a spring lock mechanism on spindle.

Accessory Specialties

AMERICAN DISPENSER

Desert Ray Products

WATROUS INC.