



AMERICAN SPECIALTIES, INC.

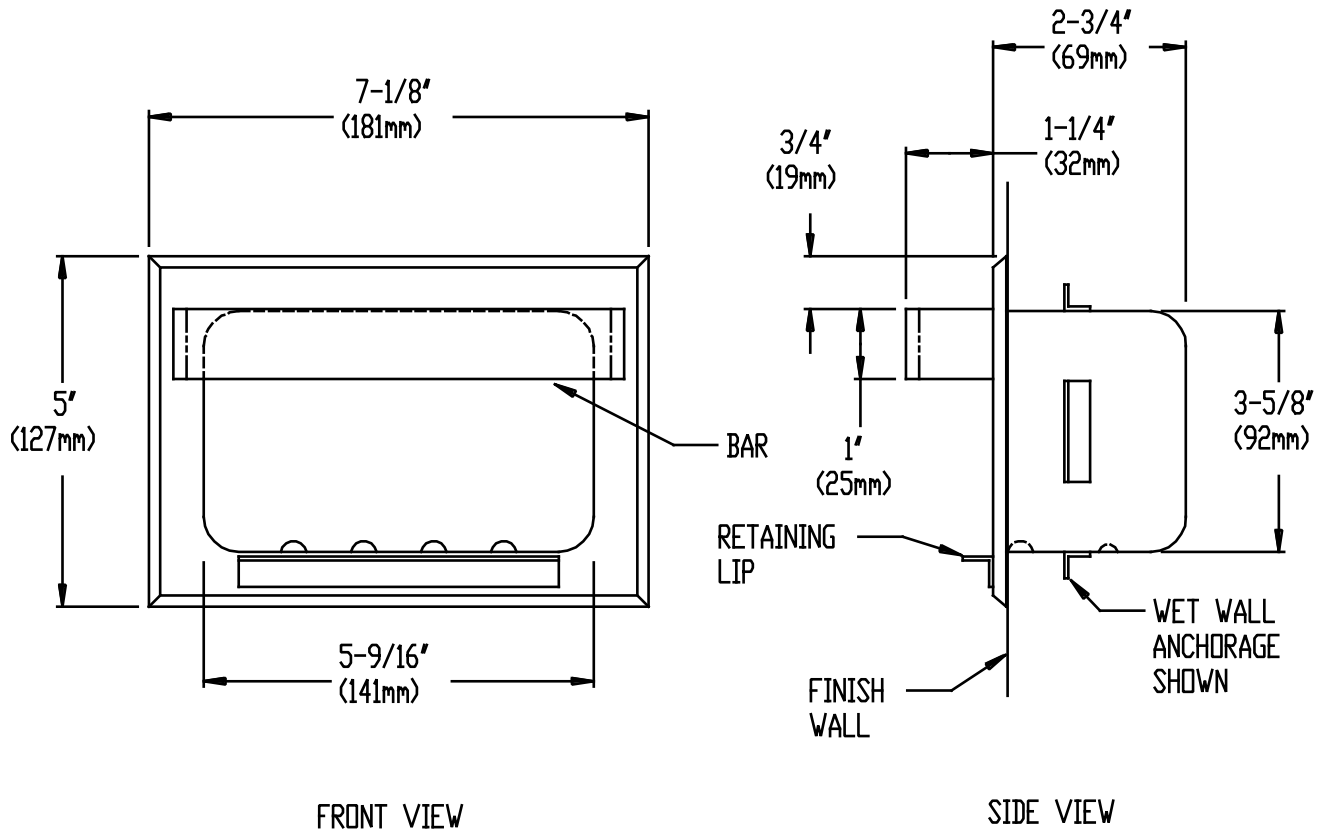
441 Saw Mill River Road, Yonkers, NY 10701 (914) 476-9000

MODEL No: 0399-W

ISSUED: 1-87

REVISED: 9-96

HEAVY DUTY STAINLESS STEEL SOAP DISH AND BAR



SPECIFICATION

Heavy Duty Stainless Steel Soap Dish with Rectangular Solid Bar for wet wall mounting shall be fabricated of alloy 18-8 stainless steel, type 304. Dish housing shall be seamless №20 gauge with exterior to be polished bright finish. Retaining lip shall be welded to body and shall project 5/8" (16mm) with rounded corners. Anchor shall be stainless steel № 22 gauge and be welded onto unit. Bar shall be stainless steel 3/16" x 1" (5mm thick x 25mm high) with 3/4" (19mm) radius bends and shall be welded to housing. Patterned dimples on soap shelf shall provide water run-off path and prevent soap from slipping.

Heavy Duty Stainless Steel Soap Dish and Bar shall be Model № 0399-W of American Specialties, Inc., 441 Saw Mill River Road, Yonkers, New York 10701-4913.

INSTALLATION

For compliance with ADA Accessibility Guidelines, install unit so that soap shelf is 48" (1219mm) maximum above finished floor (AFF) in showers and 36" (915mm) maximum AFF in bathtubs. Fill rough wall opening with tile cement. Apply cement to back shell and anchors and insert into wall opening. Set flange flush with face of finished wall.

Rough wall opening (RWO) required is 6-1/8"W x 4-1/8"H x 3"D (156mm x 105mm x 76mm)

OPERATION

Raised dimples on the soap shelf allow water to drain away and provide gripping surface to retain soap.

Accessory Specialties

AMERICAN DISPENSER

Desert Ray Products

WATROUS INC.