



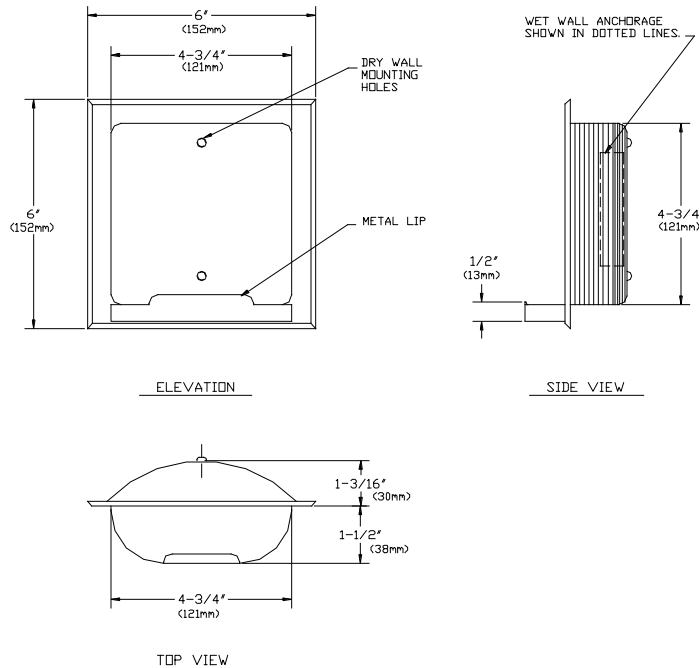
AMERICAN SPECIALTIES, INC.
 441 Saw Mill River Road, Yonkers, NY 10701 (914) 476-9000

MODEL No: 0404-Z

ISSUED: 4-95

REVISED: 9-96

RECESSED MOUNTED SOAP DISH



SPECIFICATION

Recessed Mounted Soap Dish shall be fabricated of Rust Proof Zamac, of one piece seamless construction. Outer shell shall have two (2) perforated lugs for wet wall anchoring or two (2) dimple holes for dry wall installation. A raised lip shall be provided to prevent soap from slipping out. All exposed surfaces shall be triple plated with copper, nickel and chrome to a mirror finish.

Recessed Mounted Soap Dish shall be Model N^o 0404-Z as fabricated by American Specialties, Inc. 441 Saw Mill River Road Yonkers, New York 10701- 4913

INSTALLATION

Wet wall installation: Apply grout to back of unit and on perforated lugs and push unit into opening.

Dry wall installation: Fasten unit to wall opening with (2) two N^o10 self tapping screws (supplied) through dimpled holes at back of shell.

For maximum usability and compliance with ADA Accessibility Guidelines, unit should be installed so that soap shelf is 54" (1371 mm) maximum above finished floor (AFF) when clear side access is provided; 48" (1219mm) AFF maximum with forward reach access only provided and 46" (1168mm) maximum with side reach over an obstruction. Recommended installation is 42" (1066mm) AFF or 10" (254mm) maximum above tub rim.

Rough wall opening (RWO) required is 5-1/4" W x 5-1/4" H x 1-1/2" D (133mm x 133mm x 38mm).

OPTIONS

Indicate option with check mark (✓)

Wet wall install	<input type="checkbox"/>
Dry wall install	<input type="checkbox"/>

Accessory Specialties

AMERICAN DISPENSER

Desert Ray Products

WATROUS INC.