



AMERICAN SPECIALTIES, INC.

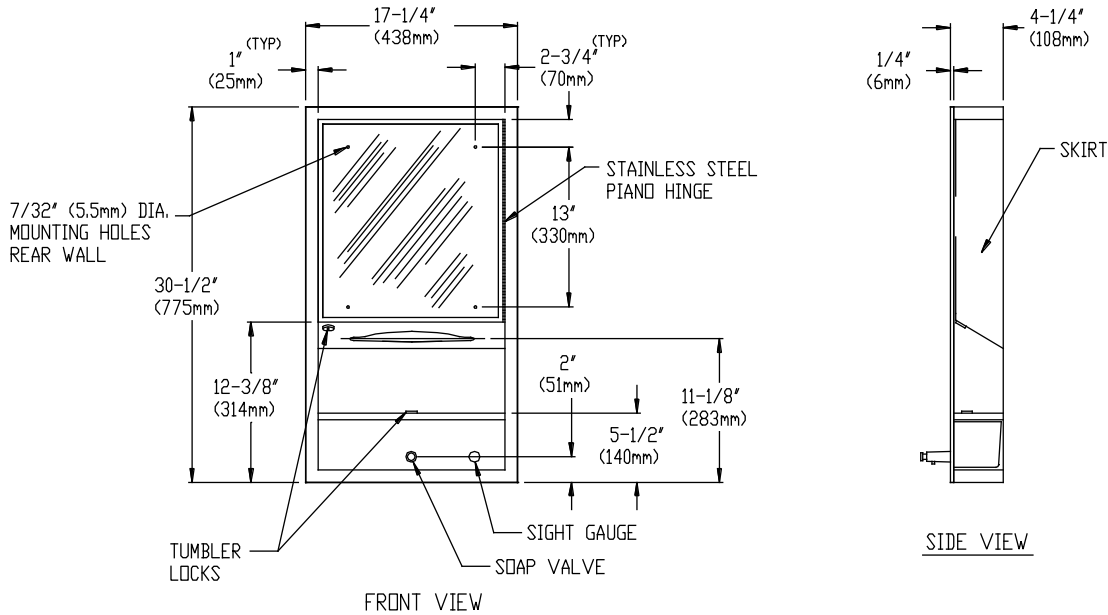
441 Saw Mill River Road, Yonkers, NY 10701 (914) 476-9000

MODEL No: 0430-9

ISSUED: 1-87

REVISED: 7-99

SURFACE MOUNTED CABINET WITH SHELF, MIRROR, PAPER TOWEL AND SOAP DISPENSER



SPECIFICATION

Surface Mounted Cabinet with Shelf, Mirror, Paper Towel, and Soap Dispenser shall hold 800 standard multi-fold or 600 standard C-fold paper towels and dispense 101 ounces (3 liters) of liquid soap, lotion or detergent from a multi-purpose push valve. Cabinet, door, dispenser tank and frame shall be fabricated of alloy 18-8 stainless steel, type 304, N^o22 gauge. Towel dispensing opening shall have a fully hemmed-in rolled edge for snag-free dispensing and user safety. Door shall be attached to cabinet at side with a full length 3/16" dia. (5mm) stainless steel multi-staked piano hinge. Soap dispenser and towel cabinet door shall each be held closed with a tumbler lock keyed alike to other ASI Washroom Equipment. Mirror shall be fabricated of 1/4" (6mm) thick plate glass and warranted for 15 years against coating spoilage. Face trim shall be 1" (25mm) wide formed from one piece with no mitres, welding or open seams and have 1/4" (6mm) square return to wall. Structural assembly of all components shall be of welded construction. A sight gauge shall be provided. Valve operation shall comply with ADA Accessibility Guidelines by requiring no more than 5 lbs_f (22.2 Newtons) pressure to actuate and require no grasping or twisting by operator. Valve shall be constructed of a chrome-plated brass body with stainless steel and plastic internal parts. All exposed surfaces shall be N^o4 satin finish and be protected during shipment with a PVC film easily removable after installation. Unit shall be supplied with SM collar to convert to surface mounting.

Surface Mounted Cabinet with Shelf, Mirror, Paper Towel and Soap Dispenser shall be Model N^o 0430-9 as manufactured by American Specialties, Inc., 441 Saw Mill River Road, Yonkers, New York 10701-4913

INSTALLATION

Unit is surface mounted on wall using four (4) N^o10 self tapping screws (supplied) through concealed mounting holes provided. For compliance with ADA Accessibility Guidelines, unit should be installed so that bottom edge of reflecting surface is 40" (1016mm) max. AFF. Suggested mounting height for normal usage is bottom of cabinet trim 8" to 10" (203mm to 254mm) above vanity surface. SM collar is installed on cabinet prior to mounting on wall following procedure described on SM Collar Data Sheet.

OPERATION

Soap is manually dispensed by pushing valve button until supply is depleted. Towels are self-feeding until supply is depleted. Unit may be reloaded easily by opening door or tank assembly with a partial load in-place and will continue to feed properly. Tank supply is refilled manually on cycle determined by maintenance needs.

OPTIONS

See **OPTION SECTION** for available combinations of configurations.

Accessory Specialties

AMERICAN DISPENSER

Desert Ray Products

WATROUS INC.