



AMERICAN SPECIALTIES, INC.

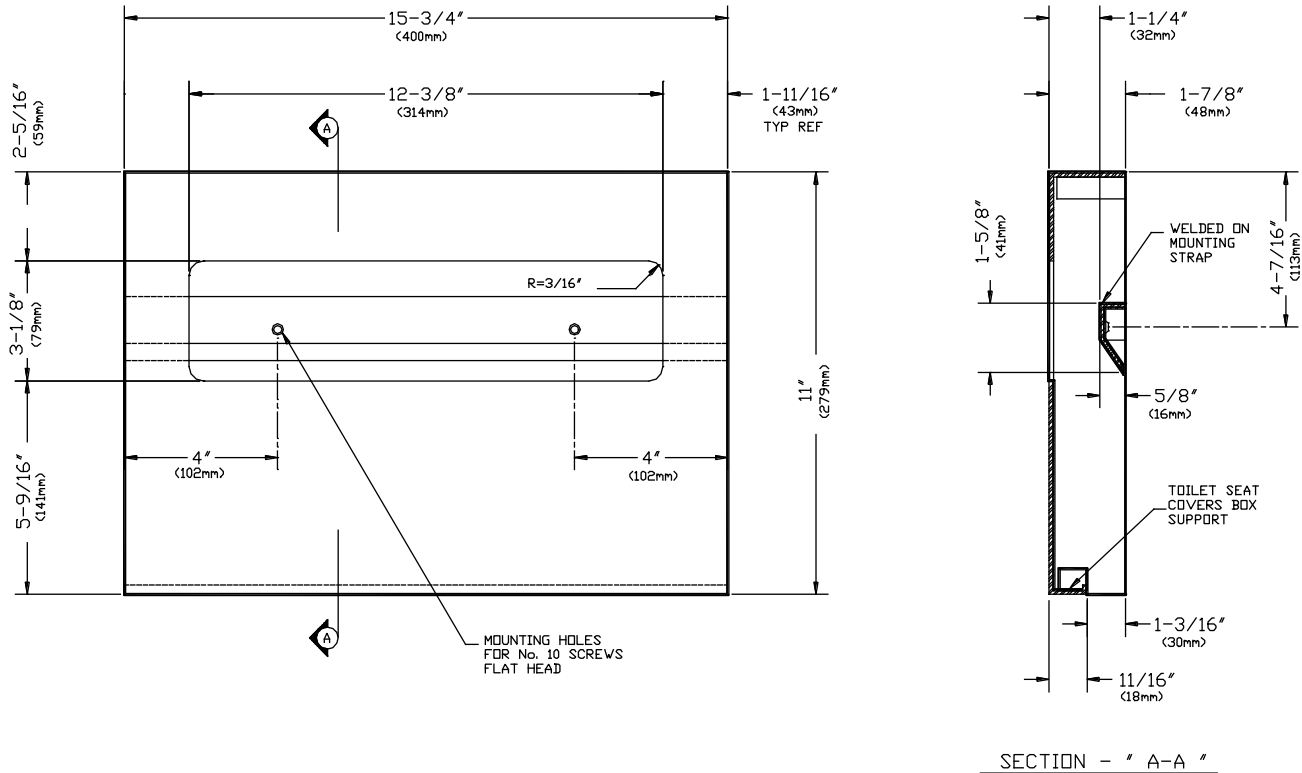
441 Saw Mill River Road, Yonkers, NY 10701 (914) 476-9000

MODEL No: 0477-SM

ISSUED: 1-87

REVISED: 5-99

SURFACE MOUNTED TOILET SEAT COVER DISPENSER



SPECIFICATION

Surface Mounted Seat Cover Dispenser shall hold and dispense 250 standard single or half-fold paper toilet seat covers contained in supply box and shall have cabinet fabricated of alloy 18-8 stainless steel, type 304, N^o22 gauge; all exposed surfaces shall have N^o4 satin finish protected during shipment with a plastic PVC film which shall be easily removable after installation. Cover dispensing slot shall have a fully deburred flat edge for snag-free dispensing and user safety. Structural assembly of body and door components shall be of welded construction.

Surface Mounted Toilet Seat Cover Dispenser shall be Model N^o 0477SM as fabricated by American Specialties, Inc. 441 Saw Mill River Road Yonkers, New York 10701-4913

INSTALLATION

Unit is surface mounted on wall or partition using two (2) N^o10 self tapping screws (supplied). Mounting holes are hidden behind dispenser box for vandal resistant locking but clearly accessible through dispenser slot for installation hanging. For compliance with ADA Accessibility Guidelines, unit should be installed so that dispenser slot is 54" (1372mm) maximum above finished floor (AFF) if clear floor side reach access is provided or 48" (1219mm) maximum AFF if clear floor forward reach access only is provided or 46" (1168mm) maximum AFF if side reach over an obstruction only is provided (ie: vanity).

OPERATION

Covers are self-feeding until supply is depleted. Unit is manually reloaded with a full box through concealed opening in bottom on schedule determined by maintenance requirements.

Accessory Specialties

AMERICAN DISPENSER

Desert Ray Products

WATROUS INC.