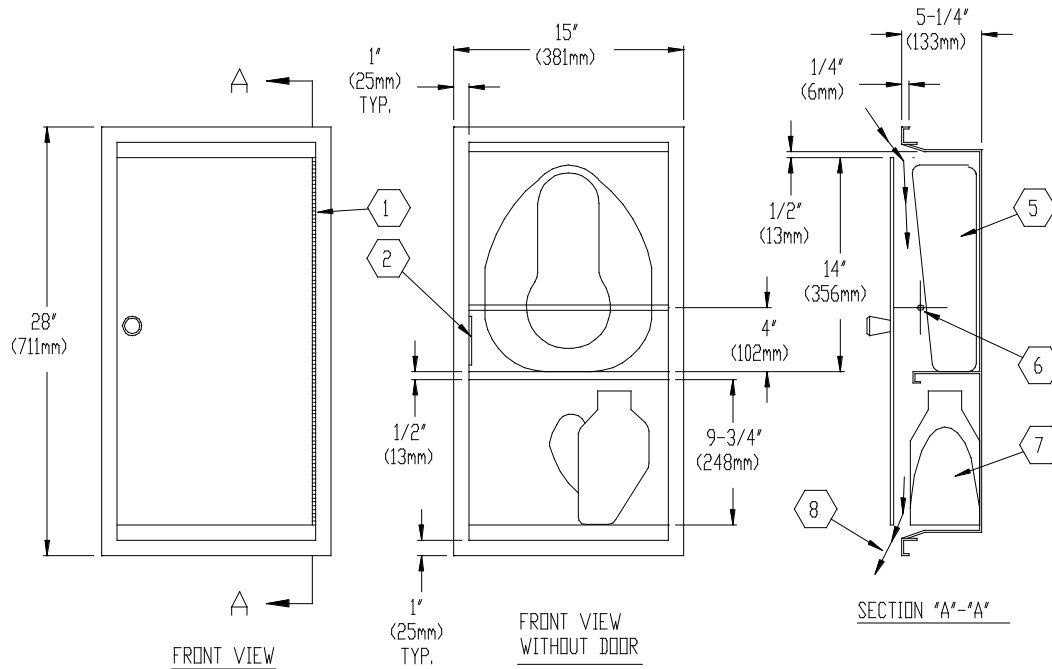




AMERICAN SPECIALTIES, INC.
441 Saw Mill River Road, Yonkers, NY 10701 (914) 476-9000

MODEL No:	0551
ISSUED:	1-87
REVISED:	9-96

RECESSED BEDPAN AND URINAL CABINET



LEGEND FOR SECTION

- | | | | |
|-------------------|-------------|--------------------------|---------------------------------|
| 1. Piano hinge | 3. Not used | 5. Bedpan (not supplied) | 7. Urinal bottle (not supplied) |
| 2. Magnetic catch | 4. Not used | 6. Retaining rod | 8. Air flow |

SPECIFICATION

Recessed Bedpan and Urinal Bottle Storage Cabinet shall hold one (1) bedpan and one (1) urinal bottle of types indicated on shop fabrication drawings. Unit shall be fabricated of alloy 18-8 stainless steel, type 304, N^o 22 gauge with N^o 4 satin finish and shall be protected during shipment with a PVC film easily removable after installation. Face trim shall be one piece construction with no miters or welding 1" (25mm) wide and returning 1/4" (6mm) to wall. Cabinet shall have no exposed fastening devices or spot welded seams. Cabinet door shall be double-pan construction 1/2" (13mm) thick with No-flex core and shall be mounted to cabinet body on a heavy duty 3/16" (5mm) dia. stainless steel multi-staked piano hinge and shall be held closed by a magnetic catch. An open space 1/2" (13mm) high shall be provided across top and bottom of door to allow convection air flow. Cabinet shall have one (1) 3/8" (10mm) dia. solid stainless steel rod bedpan holder and one (1) stainless steel shelf.

Recessed Bedpan and Urinal Bottle Cabinet shall be Model N^o 0551 as fabricated by American Specialties, Inc., 441 Saw Mill River Road, Yonkers, New York 10701-4913.

INSTALLATION

For compliance with ADA Accessibility Guidelines, install unit so that bedpan shelf is 54" (1372mm) maximum above finished floor (AFF) if clear floor side reach access is provided or 48" (1219mm) maximum AFF if clear floor forward reach access is provided or 46" (1168mm) maximum AFF if side reach is over obstruction is only provided (i.e. vanity). Secure recessed cabinet to wall with N^o10 self-tapping screws (supplied) through concealed mounting holes.

Rough wall opening (RWO) required is 13-3/8" W x 25-5/8" H x 4-1/2" D (340mm x 651mm x 114mm).

OPERATION

Cabinet door is held shut with easy opening magnet catches. The bedpan is stored on the shelf and held in place by a stainless steel rod. The urinal bottle is stored in the bottom of the cabinet. An open space across the top and bottom of the door allows air to circulate by convection.

Accessory Specialties

AMERICAN DISPENSER

Desert Ray Products

WATROUS INC.