



**AMERICAN SPECIALTIES, INC.**

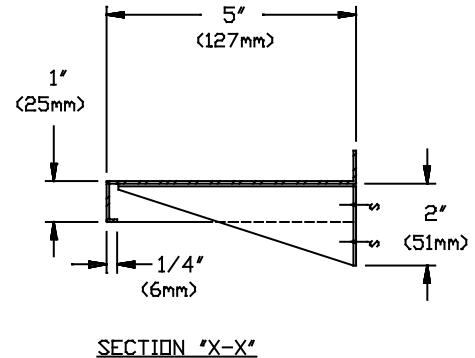
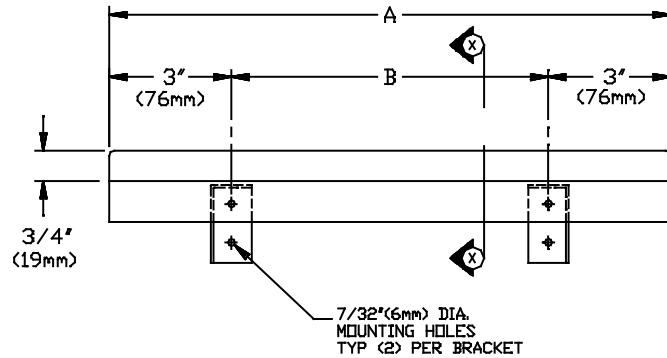
441 Saw Mill River Road, Yonkers, NY 10701 (914) 476-9000

MODEL No: 0694

ISSUED: 1-87

REVISED: 7-98

**SURFACE MOUNTED SHELF**



**SPECIFICATION**

Surface Mounted Shelf shall be fabricated of alloy 18-8 stainless steel, type 304, N<sup>o</sup> 18 gauge; brackets shall be N<sup>o</sup> 16 gauge. Shelf shall have a 1" (25mm) hollow pan construction on three (3) sides and raised back splash all from one piece and shall be fully de-burred. All exposed surfaces shall be N<sup>o</sup> 4 satin finish and shall be protected during shipment with a PVC film easily removable after installation. Structural assembly of shelf and bracket supports shall be of welded construction. Shelf shall be sized and have brackets located as per standard schedule.

Surface Mounted Shelf shall be Model N<sup>o</sup>0694-5xx as fabricated by American Specialties, Inc., 441 Saw Mill River Road, Yonkers, New York 10701-4913.

STANDARD SIZES			
5" depth/length	A =length	B =spacing	No. of Brackets
-512	12"	6"	2
-516	16"	10"	2
-518	18"	12"	2
-524	24"	18"	2
-530	30"	12"	3
-536	36"	15"	3
-548	48"	14"	4
-560	60"	18"	4
-572	72"	16+ "	5

**INSTALLATION**

Unit is surface mounted on wall or partition using N<sup>o</sup>10 self tapping screws (supplied) through holes provided in support brackets. For compliance with ADA Accessibility Guidelines, unit should be installed so that shelf top is between 48" (1219mm) maximum above finished floor (AFF) and 32" (813mm) minimum AFF; for most common utility, typical is 42" (1067mm) AFF or 18" (457mm) above wash basin.

**OPERATION**

Shelf is stable and stationary after proper and secure mounting to adequate wall reinforcement or stud structure. Shelf is suitable for wet (self-contained) or dry materials storage.

Accessory Specialties

AMERICAN DISPENSER

Desert Ray Products

WATROUS INC.