



AMERICAN SPECIALTIES, INC.

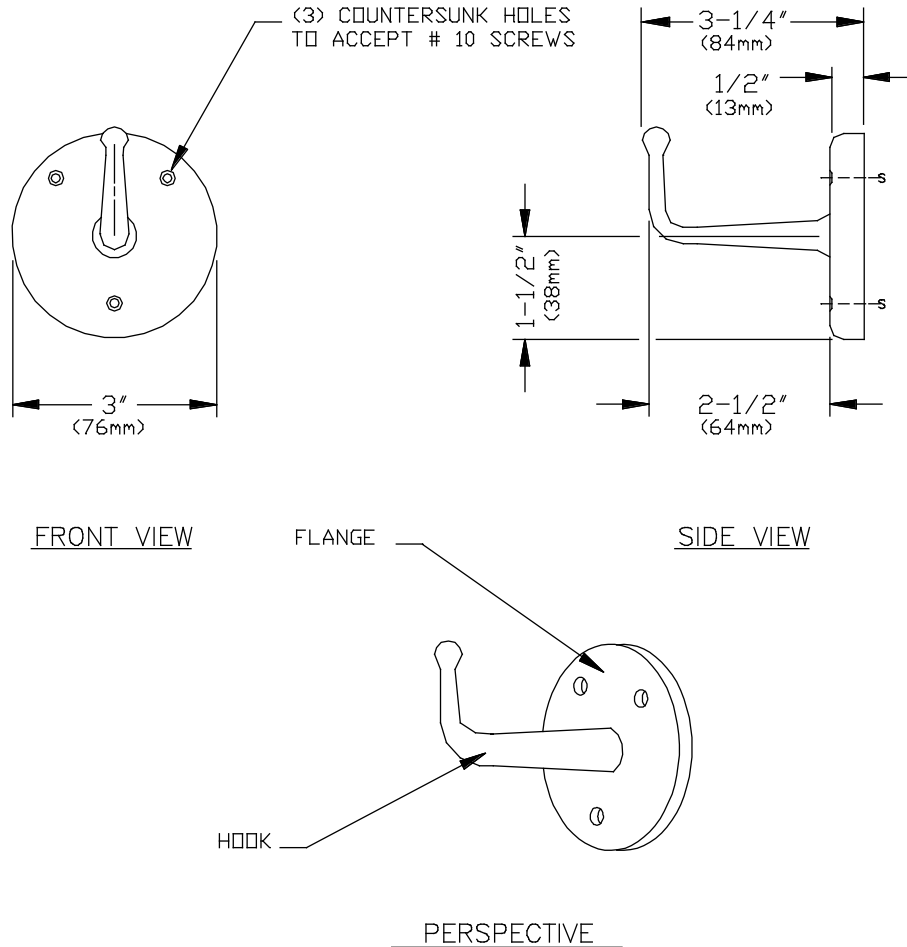
441 Saw Mill River Road, Yonkers, NY 10701 (914) 476-9000

MODEL No: 0751-A

ISSUED: 1-87

REVISED: 3-98

HEAVY DUTY ROBE HOOK - EXPOSED MOUNTING



SPECIFICATION

Heavy Duty Robe Hook with Exposed Mounting shall be fabricated of brass with a satin chrome finish. Three (3) 7/32" (5.6mm) dia. countersunk holes shall be provided for anchoring hook to wall. Hook shall be capable of supporting over 300 lbs. (136.1 kg) when properly attached to building element.

Heavy Duty Robe Hook shall be Model № 0751-A of American Specialties, Inc., 441 Saw Mill River Road, Yonkers, New York 10701-4913

INSTALLATION

Unit is surface mounted on wall or partition using №10 self tapping screws (not supplied) in a manner capable of supporting 300 lbs (136.1kg). Ensure that mounting configuration complies with local building codes. For compliance with ADA Accessibility Guidelines the height of the center-line of the hook above the finished floor (AFF) should not exceed 54" (1372mm) when clear floor side reach access is provided or 48" (1219mm) AFF with clear floor forward reach access only provided.

Accessory Specialties

AMERICAN DISPENSER

Desert Ray Products

WATROUS INC.