



AMERICAN SPECIALTIES, INC.

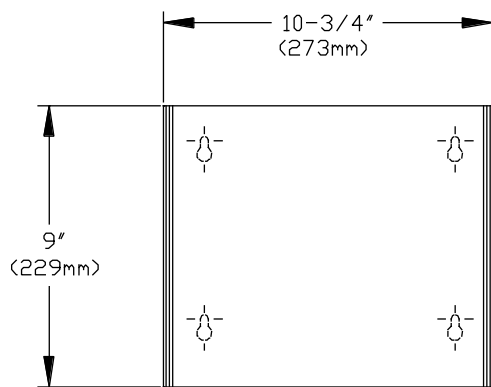
441 Saw Mill River Road, Yonkers, NY 10701 (914) 476-9000

MODEL No: 0827

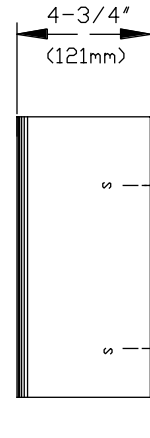
ISSUED: 1-87

REVISED: 6-98

SURFACE MOUNTED SMALL CAPACITY WASTE RECEPTACLE

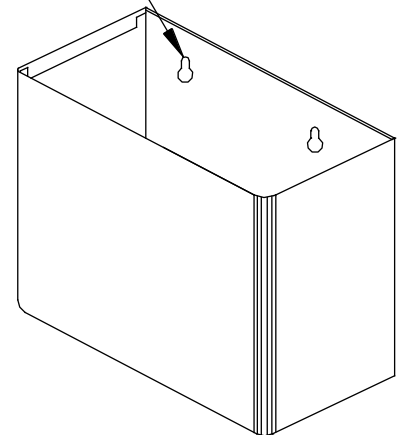


ELEVATION



END VIEW

MOUNTING KEY
HOLE SLOTS
TYP X 4



ISOMETRIC

SPECIFICATION

Surface Mounted Small Capacity Waste Receptacle shall have a capacity of 2 gallons (7.6 liters). Unit shall be fabricated of alloy 18-8 stainless steel, type 304, No. 22 gauge with No. 4 satin finish and be protected during shipment with a PVC film easily removable after installation. Receptacle shall have no exposed fastening devices or spot welded seams and shall have front outer edges rounded to 1/2" (13mm) radius. Unit shall be provided with four (4) 'key hole' slots on rear for hanging on pre-installed screws.

Surface Mounted Small Capacity Waste Receptacle shall be Model No 0827 as fabricated by American Specialties, Inc., 441 Saw Mill River Road, Yonkers, New York 10701-4913.

INSTALLATION

For general utility, mount receptacle 30" (762mm) above finished floor (AFF) from bottom of unit. Hang unit on (4) No. 10 screws (supplied) on wall through concealed mounting 'key hole' slots. For compliance with ADA Accessibility Guidelines, install unit so that top of receptacle is 54" (1372mm) maximum AFF if clear floor reach access is provided or 48" (1219mm) maximum AFF if clear floor forward reach access is provided or 46" (1168mm) maximum AFF if side reach over an obstruction is only provided (i.e. vanity).

OPERATION

Waste material is deposited into the receptacle through the open top. Waste material is removed on a cycle determined by maintenance needs. Use of a disposable trash liner bag is recommended. Unit concealed 'key hole' slots may be lifted off mounting screws for dumping.

Accessory Specialties

AMERICAN DISPENSER

Desert Ray Products

WATROUS INC.