



**AMERICAN SPECIALTIES, INC.**

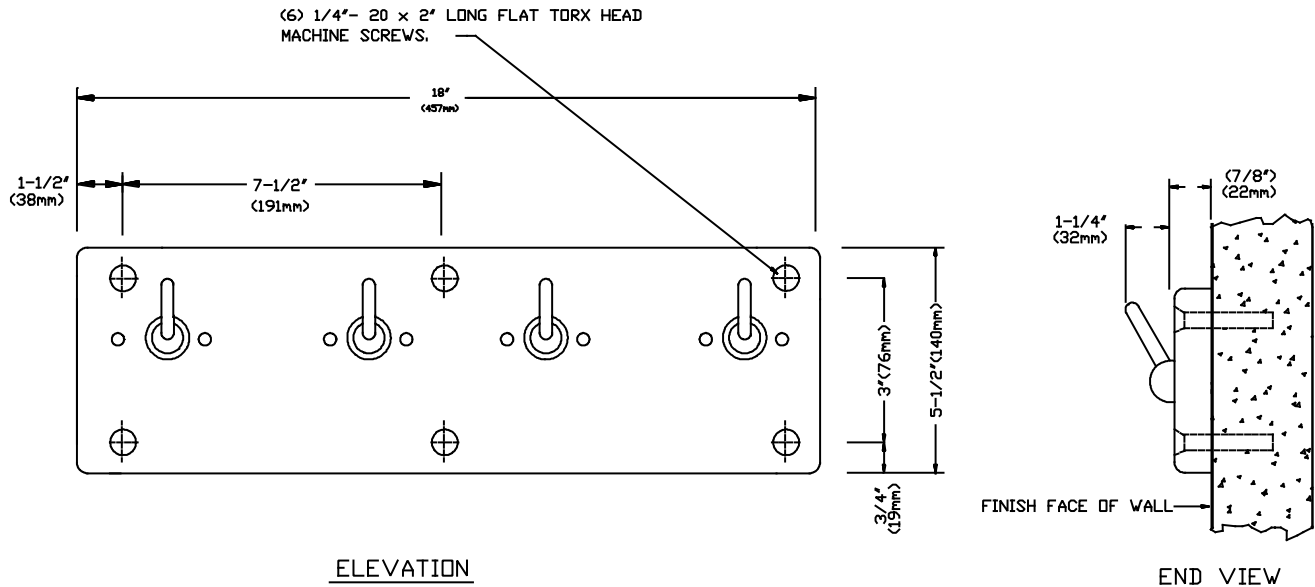
441 Saw Mill River Road, Yonkers, NY 10701 (914) 476-9000

MODEL No: 129

ISSUED: 1-87

REVISED: 2-99

**SECURITY CLOTHES / TOWEL HOOK STRIP - FRONT MOUNTED**



**SPECIFICATION**

Security Clothes / Towel Hook Strip for front mounting shall be fabricated of alloy 18-8 stainless steel, type 304. Clothes hooks shall be solid bar (10mm) dia. of one-piece construction with 1" (25mm) dia. swivel trip-ball. Safety hook shall snap down when load exceeds limit. Trip-ball socket housing shall prevent hook from being set in vertical-up position. Back plate shall be N<sup>o</sup> 14 gauge. All exposed surfaces shall be N<sup>o</sup> 4 satin finish. Unit shall be provided with six (6) dimpled mounting holes that shall accept 1/4"-20 x 2" long Torx<sup>®</sup> flat head machine screws (supplied).

**Security Clothes / Towel Hook Strip - Front Mounted shall be Model N<sup>o</sup> 129 as fabricated by American Specialties Inc., 441 Saw Mill River Road, Yonkers, New York 10701-4913**

**INSTALLATION**

For compliance with ADA Accessibility Guidelines, install unit so that top of hook in up-position is 54" (1372mm) maximum above finished floor (AFF) if clear floor side reach is provided or 48" (1219mm) maximum AFF if clear floor forward reach is provided. Surface mount unit on wall with six (6) 1/4"-20 x 2" long Torx<sup>®</sup> flat head machine screws (supplied) through dimpled holes provided into wall anchors (by others) or mounting to suit wall conditions (by others).

**OPERATION**

Hooks are tensioned to release down when overloaded.

**Accessory Specialties**

**AMERICAN DISPENSER**

**Desert Ray Products**

**WATROUS inc.**