



**AMERICAN SPECIALTIES, INC.**

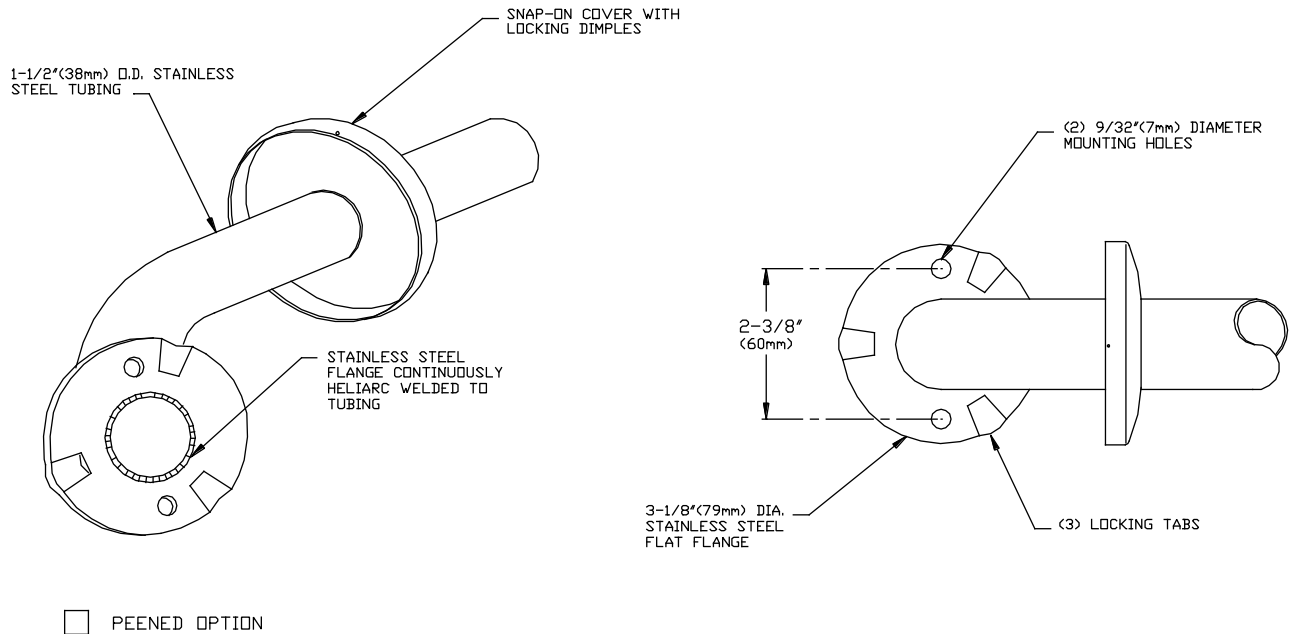
441 Saw Mill River Road, Yonkers, NY 10701 (914) 476-9000

MODEL No: 3800

ISSUED: 1-87

REVISED: 7-99

**GRAB BAR (1-1/2") SERIES WITH SNAP-ON FLANGE COVERS**



**SPECIFICATION**

Grab Bar with Snap-On Flange Covers for concealed mounting shall be fabricated of 18-8 stainless steel type 304; tubing shall be 1-1/2" (38mm) dia. x 18 gauge (1.2mm); snap-on cover shall be 22 gauge (.8mm). Flange shall be 1/8" (3mm) thick and shall be heliarc welded to tubing with a continuous concealed bead. End flanges shall have two (2) 9/32" (7mm) dia. mounting holes. Center posts (if any) shall have slotted holes to ease installation access. All exposed surfaces shall have a N<sup>o</sup>4 satin finish and shall be protected during shipment with a plastic bag. For optional non-slip surface add suffix -P (peened).

**Grab Bar (1-1/2") with Snap-On Flange Covers shall be Series 3800 as manufactured by American Specialties, Inc., 441 Saw Mill River Road, Yonkers, New York 10701- 4913**

**STRENGTH**

ASI Grab Bars are designed to meet and exceed ADA requirements as published in CABO/ANSI A117.1-1992 and CFR 28 Part 36, Federal Register Vol. 56 No. 144, 26 July 1991, section 4.21.3 and section 4.26.3, that fabricated product shall be of adequate strength to support a load of 250 pounds (113.4kg). Mounting to the wall is a critical part of the system to meet this requirement. To withstand the shear, tension or pull-out, and torsion loads generated by the maximum loading, the fastener system must be adequately sized.

**INSTALLATION**

Use grab bar as template to mark mounting hole locations and pre-drill holes. Install bar using two (2) N<sup>o</sup>10 self-tapping pan head screws and flat washers (not supplied) or other fastener system (not supplied) to suit conditions for each flange. Appropriate anchoring and backing must be provided in accordance with local building codes or as specified prior to wall finishing. For compliance with ADA Accessibility Guidelines unit should be installed so that the center line of the grab bar is 33" (840mm) minimum above finished floor (AFF) to 36" (915mm) maximum AFF. Anchors are available from ASI and must be specified separately (see 3900 series).

Accessory Specialties

AMERICAN DISPENSER

Desert Ray Products

WATROUS INC.