



AMERICAN SPECIALTIES, INC.

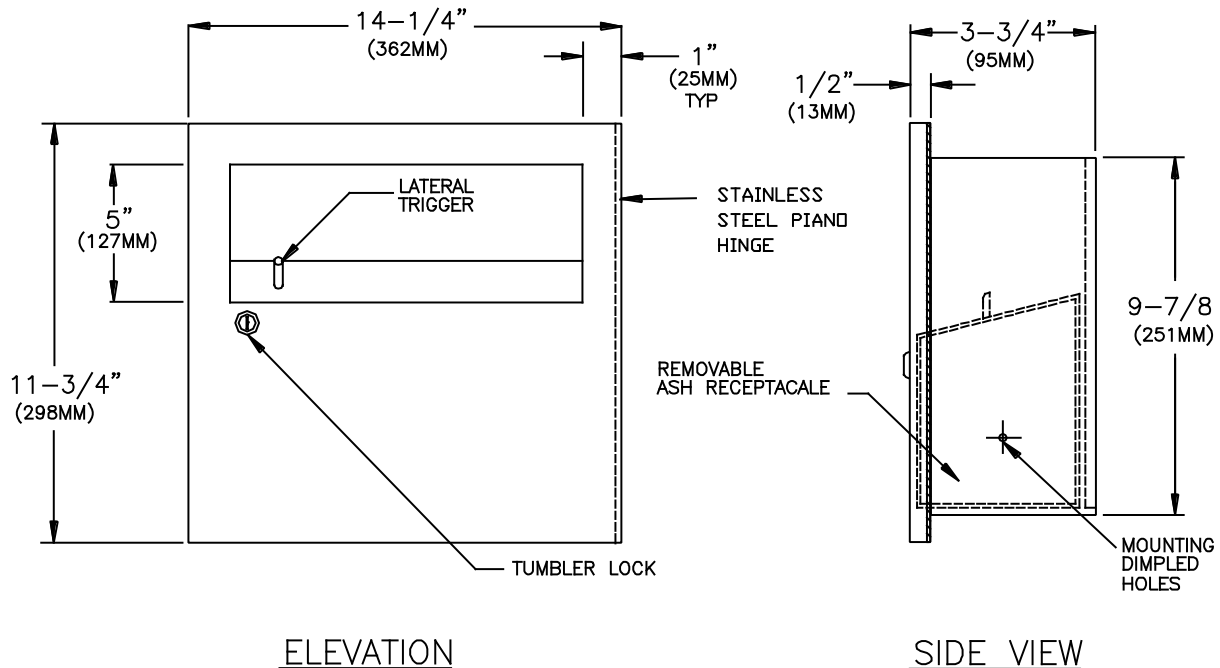
441 Saw Mill River Road, Yonkers, NY 10701 (914) 476-9000

MODEL No: 6004

ISSUED: 1-87

REVISED: 3-98

RECESSED ASH RECEPTACLE



SPECIFICATION

Recessed Ash Receptacle with removable container shall be fabricated of alloy 18-8 stainless steel, type 304. Cabinet shall be 20 gauge (.9mm) with a 1" (25mm) wide perimeter return to lay flat against wall. Full face door shall be 18 gauge (1.2mm) with a 1/2" (13mm) square return to wall and no visible open seams on door face. Ash trough shall have a push-down trigger for depositing ashes and blade shall be mounted on a spring loaded stainless steel piano hinge. Service door shall be attached to cabinet with 3/16" (5mm) dia. multi-staked stainless steel piano hinge and shall be held closed with a tumbler lock keyed alike to other ASI Washroom Equipment. Structural assembly of all components shall be of welded construction. All exposed surfaces shall be N^o4 satin finish and shall be protected during shipment with a PVC film easily removable after installation.

Recessed Ash Receptacle shall be Model 6004 as manufactured by American Specialties, Inc., 441 Saw Mill River Road, Yonkers, New York 10701-4913

INSTALLATION

Unit is mounted in wall recess or partition using N^o10 self tapping screws (supplied) through concealed mounting holes provided. For compliance with ADA Accessibility Guidelines the unit should be installed so that the ashtray is 54" (1372mm) max. above finished floor (AFF) when clear floor side reach access is provided, or 48" (1219mm) max. AFF if clear floor forward reach access is provided or 46" (1168mm) max. AFF if side reach over an obstruction (i.e. vanity) is only provided. Note that RWO is 3/4" (19mm) below top of frame trim. Typical mounting height is 53-3/4" (1365mm) AFF from top of frame trim.

Rough Wall Opening (RWO) required is..... 13"W x 10-3/8"H x 3-1/2"D minimum (330mm x 264mm x 89mm).

OPERATION

Ashes are deposited in waste receptacle by activating push-down release on ash-trough. Waste receptacle is emptied manually on cycle determined by maintenance needs.

Accessory Specialties

AMERICAN DISPENSER

Desert Ray Products

WATROUS INC.