



AMERICAN SPECIALTIES, INC.

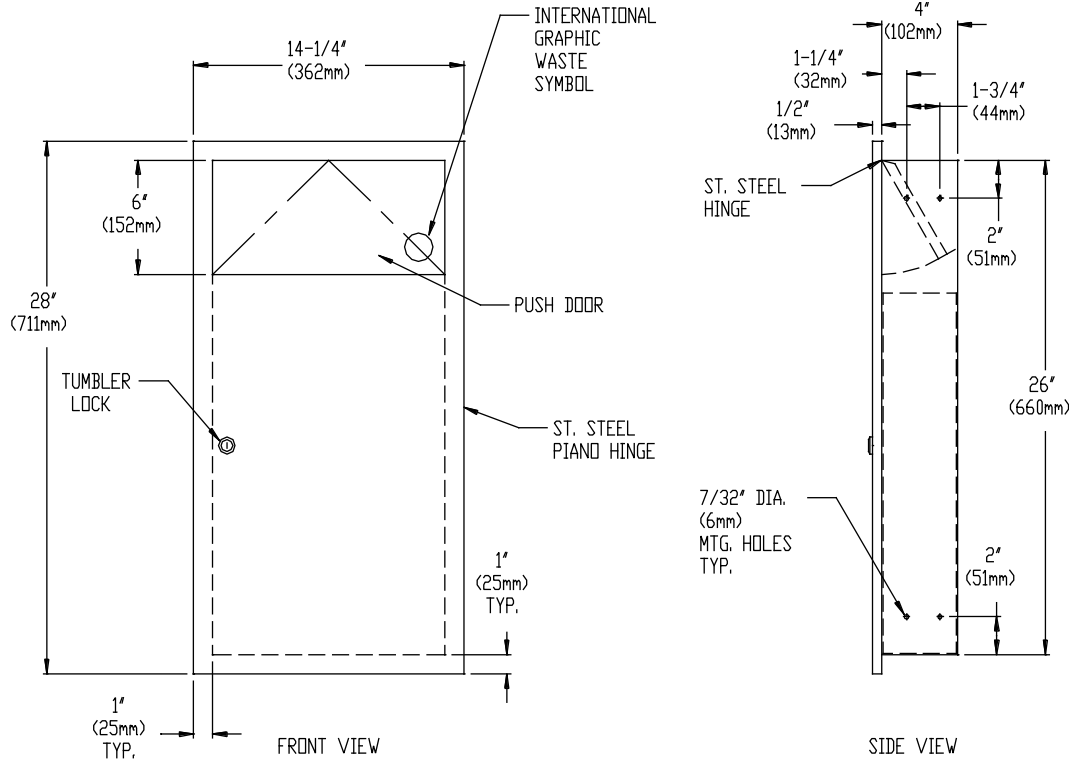
441 Saw Mill River Road, Yonkers, NY 10701 (914) 476-9000

MODEL No: 6459

ISSUED: 1-87

REVISED: 6-98

RECESSED WASTE RECEPTACLE



SPECIFICATION

Recessed Waste Receptacle shall have a waste capacity of 4 gal. (15 liters) and shall be fabricated of 18-8 stainless steel, type 304. Cabinet shall be 20 gauge (.9mm) with no fastening devices or spot welded seams with a 1" (25mm) wide perimeter trim to lay flat against wall. Full face door shall be formed from one piece of 18 gauge (1.2mm) with no miters and with a 1/2" (13mm) square return to wall with no visible seams on door face. Door shall be attached to cabinet side with a 3/16" (5mm) stainless steel multi-staked piano hinge and shall be held closed with a tumbler lock keyed alike to other ASI washroom equipment. Push door shall be hung on cabinet door with a self closing spring loaded piano hinge and shall have the international waste disposal symbol on face. Waste receptacle shall be fabricated of heavy duty corrosion resistant steel with a handle for easy grip. Structural assembly of all components shall be of welded construction. All exposed surfaces shall be N^o 4 satin finish and be protected during shipment with a PVC film easily removable after installation.

Recessed Waste Receptacle shall be Model N^o 6459 as manufactured by American Specialties, Inc., 441 Saw Mill River Road, Yonkers, New York 10701- 4913

INSTALLATION

Unit is mounted in wall recess or partition using N^o10 self tapping screws (supplied) through concealed mounting holes. For compliance with ADA Accessibility Guidelines the unit should be installed so that the center of the waste door is 54" (1372mm) max. above finished floor (AFF) when clear floor side access is provided or 48" (1168 mm) max. AFF with clear floor forward reach access only.

Rough Wall Opening (RWO) required is..... 12-3/4"W x 26-1/2"H x 4-1/4"D (324mm x 673mm x 108mm)

OPERATION

Waste is inserted through self-closing push door. Waste receptacle is emptied manually on cycle determined by maintenance needs. Locked compartment prevents unauthorized access.

Accessory Specialties

AMERICAN DISPENSER

Desert Ray Products

WATROUS INC.