



AMERICAN SPECIALTIES, INC.

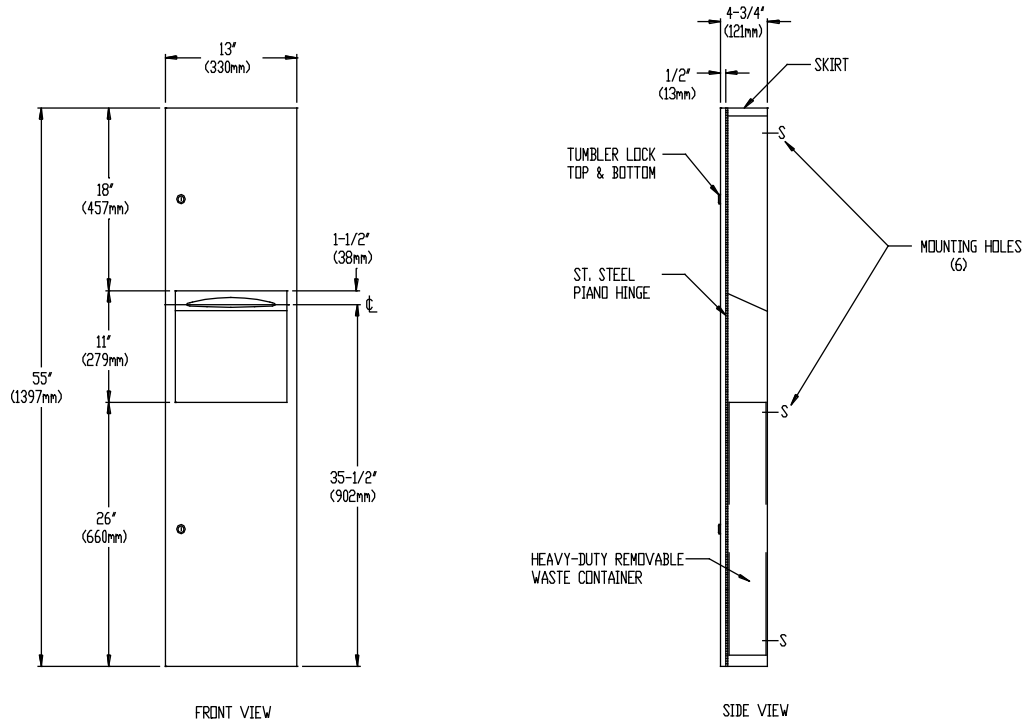
441 Saw Mill River Road, Yonkers, NY 10701 (914) 476-9000

MODEL No: 6467-9

ISSUED: 1-87

REVISED: 4-98

SURFACE MOUNTED PAPER TOWEL DISPENSER AND WASTE RECEPTACLE



SPECIFICATION

Surface Mounted Paper Towel Dispenser and Waste Receptacle shall hold and dispense 800 standard multi-fold or 600 standard C-fold paper towels, and shall have a waste capacity of 4.5 gal. (17 liters). Cabinet, door, skirt, dispenser and waste receptacle shall be fabricated from 18-8 stainless steel, type 304. Full face door shall be 18 gauge (1.2mm) formed from one piece with no miters, welding or open seams on face with a 1/2" (13mm) return to wall and shall be attached to cabinet at side with a full length 3/16" (5mm) stainless steel multi-staked piano hinge and be held closed with two (2) tumbler locks keyed like other ASI Washroom Equipment. Cabinet shall be 20 gauge (.9mm) and skirt shall be 22 gauge (.8mm). Towel dispensing opening shall have a fully hemmed-in rolled edge for snag-free dispensing and user safety. Dispensing mechanism shall include an adapter that permits the use of multi-fold and C-fold paper towels. Waste receptacle shall have a rolled edge finger hole for easy servicing and removal. Structural assembly of all components shall be of welded construction. All exposed surfaces shall be No. 4 satin finish and shall be protected during shipment with a PVC film easily removable after installation. Unit shall be supplied with SM collar (skirt) to convert to surface mounting.

Surface Mounted Paper Towel Dispenser and Waste Receptacle shall be Model No. 6467-9 as manufactured by American Specialties, Inc., 441 Saw Mill River Road, Yonkers, New York, 10701-4913.

INSTALLATION

Surface mount and secure unit to wall with four (4) No. 10 self-tapping screws (supplied) through mounting holes in cabinet back. For compliance with ADA Accessibility Guidelines, install unit so that center line of towel dispenser slot is 54" (1372mm) maximum above finished floor (AFF) if clear floor side reach access is provided or 48" (1219mm) maximum AFF if clear floor forward reach access only is provided. For general utility the unit should be installed with its bottom edge 16-3/4" (425mm) AFF. SM collar is installed on cabinet prior to mounting on wall following procedure as described on SM Collar Data Sheet.

OPERATION

Towels are self-feeding until supply is depleted. Unit may be refilled with a partial load in-place and will continue to feed properly. Waste receptacle is emptied manually on a cycle determined by maintenance needs. Locking door prevents unauthorized access or removal.

Accessory Specialties

AMERICAN DISPENSER

Desert Ray Products

WATROUS INC.