



AMERICAN SPECIALTIES, INC.

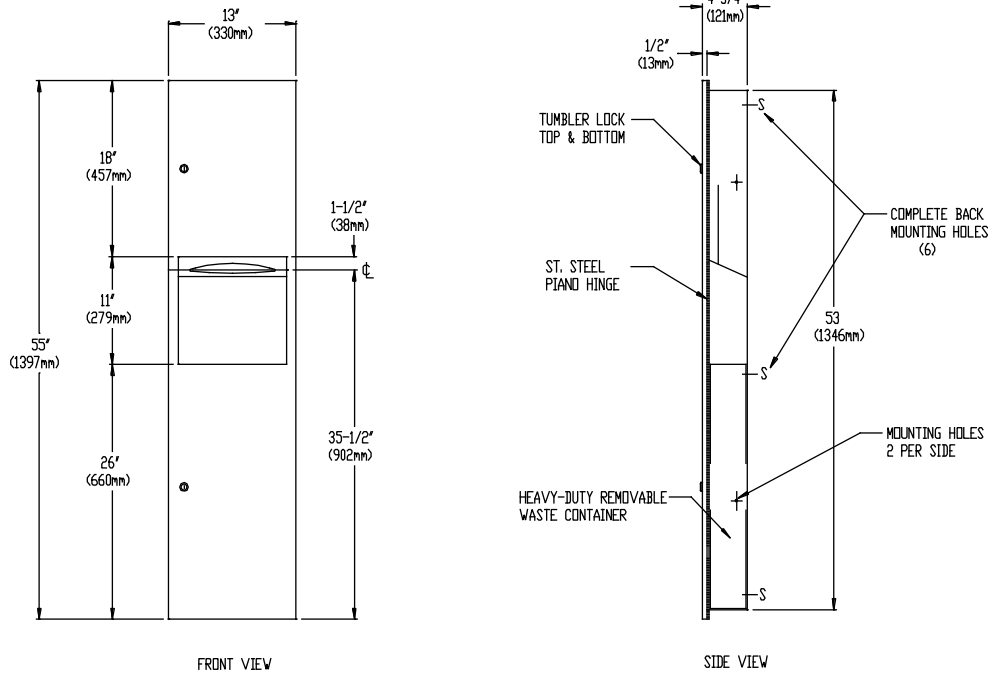
441 Saw Mill River Road, Yonkers, NY 10701 (914) 476-9000

MODEL No: 6467

ISSUED: 1-87

REVISED: 8-98

RECESSED PAPER TOWEL DISPENSER AND WASTE RECEPTACLE



SPECIFICATION

ReCESSED Paper Towel Dispenser and Waste Receptacle unit shall hold and dispense 800 standard multi-fold or 600 standard C-fold paper towels, and shall have a waste capacity of 5 gal. (18.9 liters). Cabinet, door, dispenser, and waste receptacle shall be fabricated of 18-8 stainless steel, type 304. Cabinet shall be 20 gauge (.9mm) with a 1" (25mm) wide perimeter trim to lay flush against wall and shall have no exposed fastening devices or visible seams. All exposed surfaces shall have a N^o4 satin finish and shall be protected during shipment by a PVC film easily removable after installation. Full face door shall be 18 gauge (1.2mm), fabricated from one piece with no mitres or seams on face and shall have a 1/2" (13mm) square return to the wall. Door shall be attached to cabinet body with a full length 3/16" (5mm) dia. stainless steel multi-staked piano hinge and shall be held closed with two (2) tumbler locks keyed alike to other ASI washroom equipment. Towel dispensing opening shall have a full deburred edge for snag free dispensing and user safety. Dispensing mechanism shall include an adapter that permits the use of multi-fold and C-fold towels. Waste receptacle shall have a rolled edge finger hole for easy servicing and removal. Structural assembly of body and door components shall be of welded construction.

ReCESSED Paper Towel Dispenser and Waste Receptacle unit shall be Model N^o6467 as manufactured by American Specialties, Inc., 441 Saw Mill River Road, Yonkers, New York 10701-4913

INSTALLATION

Unit is mounted in wall recess with N^o10 self-tapping screws (supplied) through concealed mounting holes provided. For compliance with ADA Accessibility Guidelines install so that towel dispenser slot is 54" (1372mm) above finished floor (AFF) if clear floor side reach access is provided or 48" (1219mm) max. AFF if clear floor forward reach access is provided. For general utility unit should be installed in a RWO with its bottom edge 16-3/4" (425mm) AFF. Note that bottom of RWO is 3/4" (19mm) above bottom of unit.

Rough Wall Opening (RWO) required is..... 11-1/2" W x 53-1/2" H x 4-1/4" D minimum (292mm x 1359mm x 108mm).

OPERATION

Towels are self feeding until supply is depleted. Unit will continue to feed properly when refilled with a partial load in-place. Waste receptacle is emptied manually on a cycle determined by maintenance needs. Locked compartment prevents unauthorized access or removal.

Accessory Specialties

AMERICAN DISPENSER

Desert Ray Products

WATROUS INC.