



**AMERICAN SPECIALTIES, INC.**

441 Saw Mill River Road, Yonkers, NY 10701 (914) 476-9000

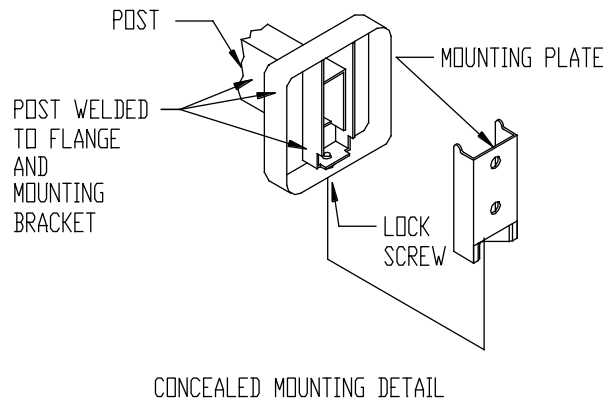
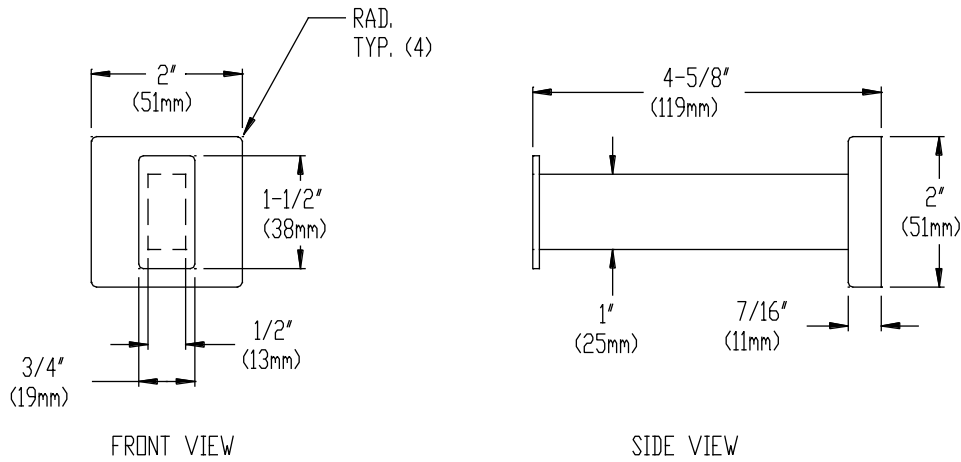
MODEL No: 7301

ISSUED: 1-87

REVISED: 3-99

### TOWEL PIN

- Specify Model Required  Model 7301-B Bright Polished Stainless Steel  
 Model 7301-S Satin-finished Stainless Steel.



#### SPECIFICATION

Towel Pin shall be fabricated of 18-8 stainless steel, type 304. Pin post shall be 1/2" x 1" (13mm x 25mm) rectangular tubing with formed mounting flange and bracket welded on end. Cap plate shall be 3/4" x 1-1/2" (19mm x 38mm) welded to outer end. Mounting plate shall be included. A stainless steel set screw shall be provided on bottom perimeter of flange to lock unit to mounting plate. Mounting screws shall be provided. Surface finish shall be (bright or satin).

**Towel Pin shall be Model №(7301-B or 7301-S) of American Specialties, Inc., 441 Saw Mill River Road, Yonkers, New York 10701-4913**

#### INSTALLATION

Surface mount unit on wall using №10 self tapping screws (supplied) through holes provided in mounting plate. Hang post and flange assembly on mounting plate and tighten set screw to lock unit to plate. For compliance with ADA Accessibility Guidelines unit shall be installed with top of towel pin 54" (1372mm) maximum above finished floor (AFF) if clear floor side reach access is provided or 48" (1219mm) max. AFF if clear floor forward reach access is only provided or 46" (1168mm) max. AFF if side reach access over an obstruction (e.g. vanity) is only provided. For general utility install 68" (1727mm) maximum AFF.

Accessory Specialties

AMERICAN DISPENSER

Desert Ray Products

WATROUS INC.