



**AMERICAN SPECIALTIES, INC.**

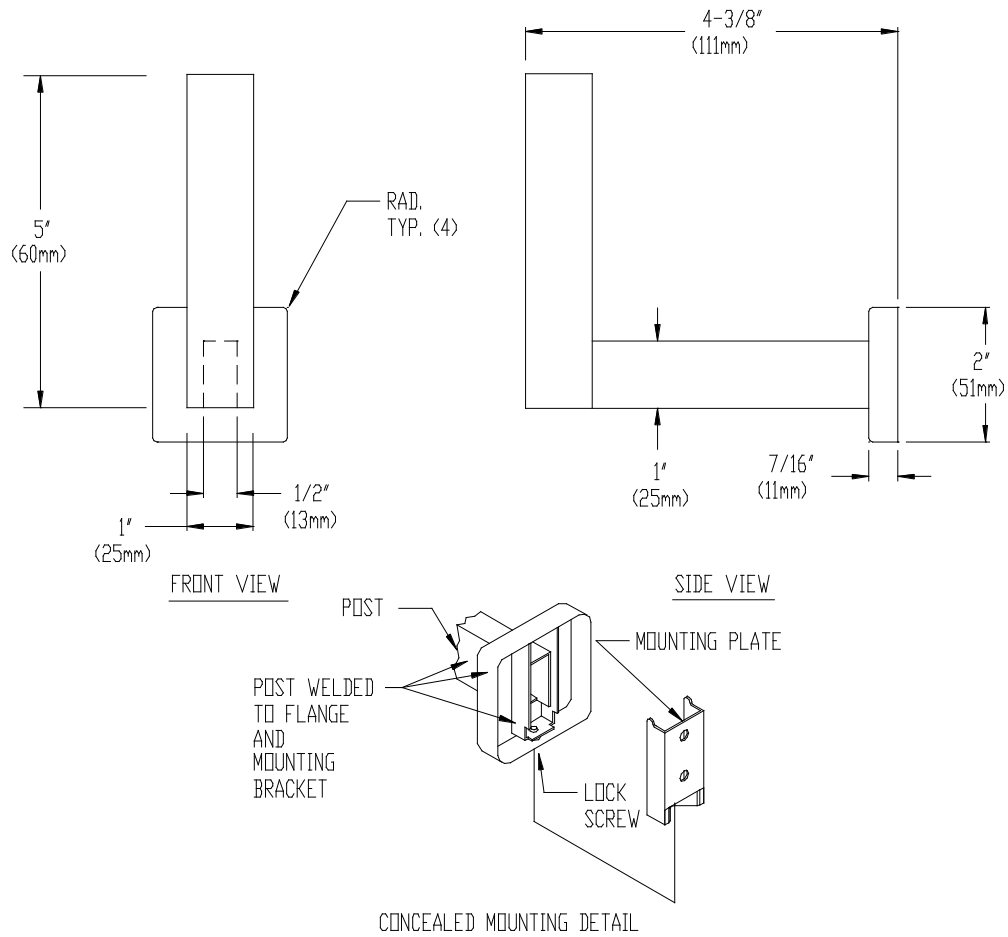
441 Saw Mill River Road, Yonkers, NY 10701 (914) 476-9000

MODEL No: 7303

ISSUED: 9-99

REVISED:

**SPARE ROLL TOILET PAPER HOLDER**



**SPECIFICATION**

Spare Roll Holder shall be manufactured of 18-8 stainless steel, type 304. Pin post shall be 1/2" x 1" (13mm x 25mm) 21 gauge rectangular tubing with 18 gauge formed mounting flange and bracket welded on end. Roll holder post shall be 1" x 1" (25mm x 25mm) 20 gauge square tubing with closed ends and shall be welded to outer end. Mounting plate shall be 18 gauge. A stainless steel set screw shall be provided on bottom of flange to lock unit to mounting plate. Mounting screws shall be provided. Optional finishes must be specified as either satin or bright finish by adding suffix to model number. (i.e. 7303-B or 7303-S). Finish suffix option -S = satin; B= bright.

**Spare Roll Holder shall be Model N<sup>o</sup>7303 of American Specialties, Inc., 441 Saw Mill River Road, Yonkers, New York 10701-4913**

**INSTALLATION**

For compliance with ADA Accessibility Guidelines, install unit so that top of paper holder is between 19"(483mm) minimum above finished floor (AFF) to 44"(1118mm) maximum AFF and leading edge of roll is no farther than 36"(914mm) from back wall behind commode. Recommended mounting height is 32"(813mm) minimum AFF. Surface mount unit to finished wall using N<sup>o</sup>10 self tapping screws (supplied) through holes provided in mounting plate into suitable prepared mountings (by others) or other suitable mounting hardware (by others) to suit wall conditions.

**OPERATION**

One roll of toilet paper is placed over the horn type holder for use as required. Toilet paper is replenished on a cycle determined by maintenance needs.

**Accessory Specialties**

**AMERICAN DISPENSER**

**Desert Ray Products**

**WATROUS INC.**