



**AMERICAN SPECIALTIES, INC.**

441 Saw Mill River Road, Yonkers, NY 10701 (914) 476-9000

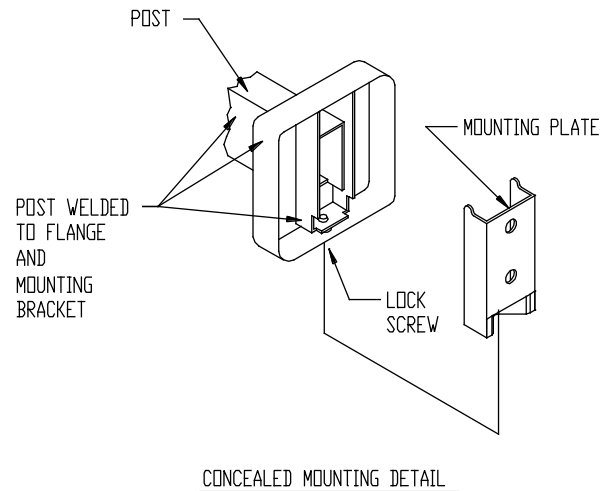
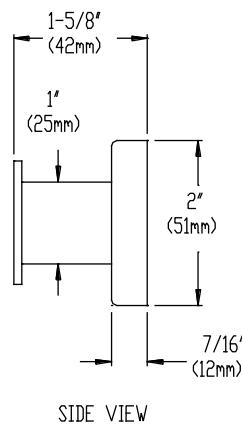
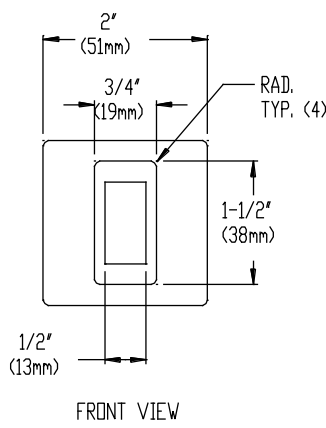
MODEL No: 7340

ISSUED: 1-87

REVISED: 3-99

**SINGLE ROBE HOOK**

- Specify Model Required  Model 7340-B Bright Polished Stainless Steel
- Model 7340-S Satin Finished Stainless Steel



**SPECIFICATION**

Single Robe Hook shall be fabricated of 18-8 stainless steel type 304. Post shall be 1/2" x 1" (13mm x 25mm) rectangular tubing with formed mounting flange and bracket welded on end. Cap plate shall be internally welded. Mounting plate shall be included. Surface finish shall be (bright or satin). A stainless steel set screw shall be provided on bottom perimeter of flange to lock unit to mounting plate. Mounting screws shall be provided.

Single Robe Hook shall be Model № (7340-B or 7340-S) of American Specialties, Inc., 441 Saw Mill River Road, Yonkers, NY 10701-4913

**INSTALLATION**

Surface mount unit on wall using №10 self tapping screws (supplied) through holes provided in mounting plate. Hang post and flange assembly on mounting plate and tighten set screw to lock unit to plate. For compliance with ADA Accessibility Guidelines unit shall be install so that top of hook is 54" (1372mm) maximum above finished floor (AFF) if clear floor side reach access is provided or 48" (1219mm) max. AFF if clear floor forward reach access is provided. For general utility install hook with centerline of mounting plate 68" (1727mm) above finished floor.

Accessory Specialties

AMERICAN DISPENSER

Desert Ray Products

WATROUS INC.