



**AMERICAN SPECIALTIES, INC.**

441 Saw Mill River Road, Yonkers, NY 10701 (914) 476-9000

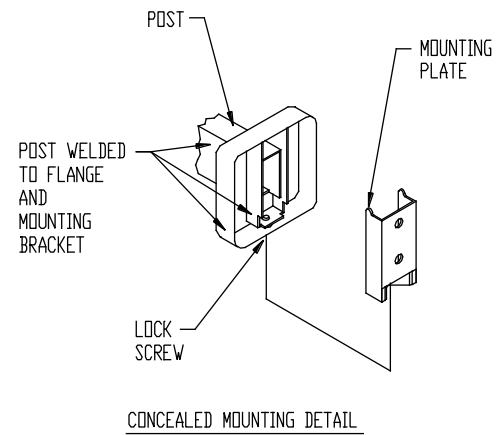
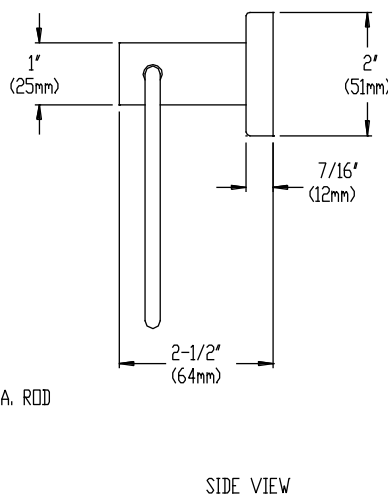
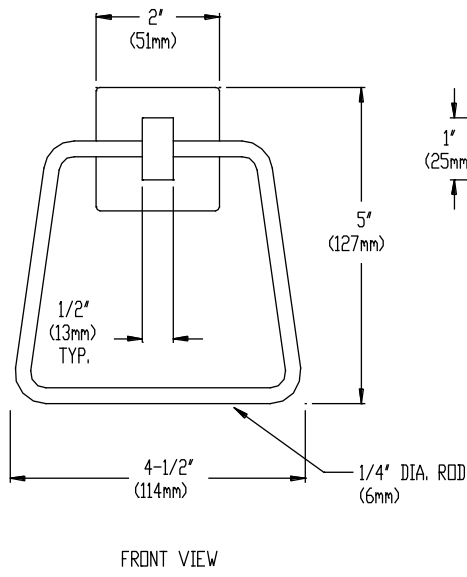
MODEL No: 7385

ISSUED: 1-87

REVISED: 3-99

### TOWEL RING

- Specify Model Required  Model 7385-B Bright Polished Stainless Steel  
 Model 7385-S Satin Finished Stainless Steel



#### SPECIFICATION

Towel Ring shall be fabricated of 18-8 stainless steel, type 304. Ring shall be formed from 1/4" (6mm) dia. stainless steel rod. Support post shall be fabricated of 1/2" x 1" (13mm x 25mm) rectangular tubing and shall have mounting flange and bracket welded on end. Mounting plate shall be included. A stainless steel set screw shall be provided on bottom perimeter of flanges to lock unit to mounting bracket. Mounting screws shall be provided. Surface finish shall be (satin or bright).

**Towel Ring shall be Model No. (7385-B or 7385-S) of American Specialties, Inc., 441 Saw Mill River Road, Yonkers, New York 10701-4913**

#### INSTALLATION

Surface mount unit to wall using №10 self tapping screws (supplied) through holes provided in mounting plate. Hang post and flange assembly on mounting plate and tighten set screw to lock unit to plates. For compliance with ADA Accessibility Guidelines, install unit with centerline of towel ring 54" (1372mm) maximum above finished floor (AFF) if clear floor side reach access is provided or 48" (1219mm) max. AFF if clear floor forward reach access is provided or 46" (1168mm) max. AFF if side reach over an obstruction (e.g. vanity) is only provided.

Accessory Specialties

AMERICAN DISPENSER

Desert Ray Products

WATROUS INC.