



AMERICAN SPECIALTIES, INC.

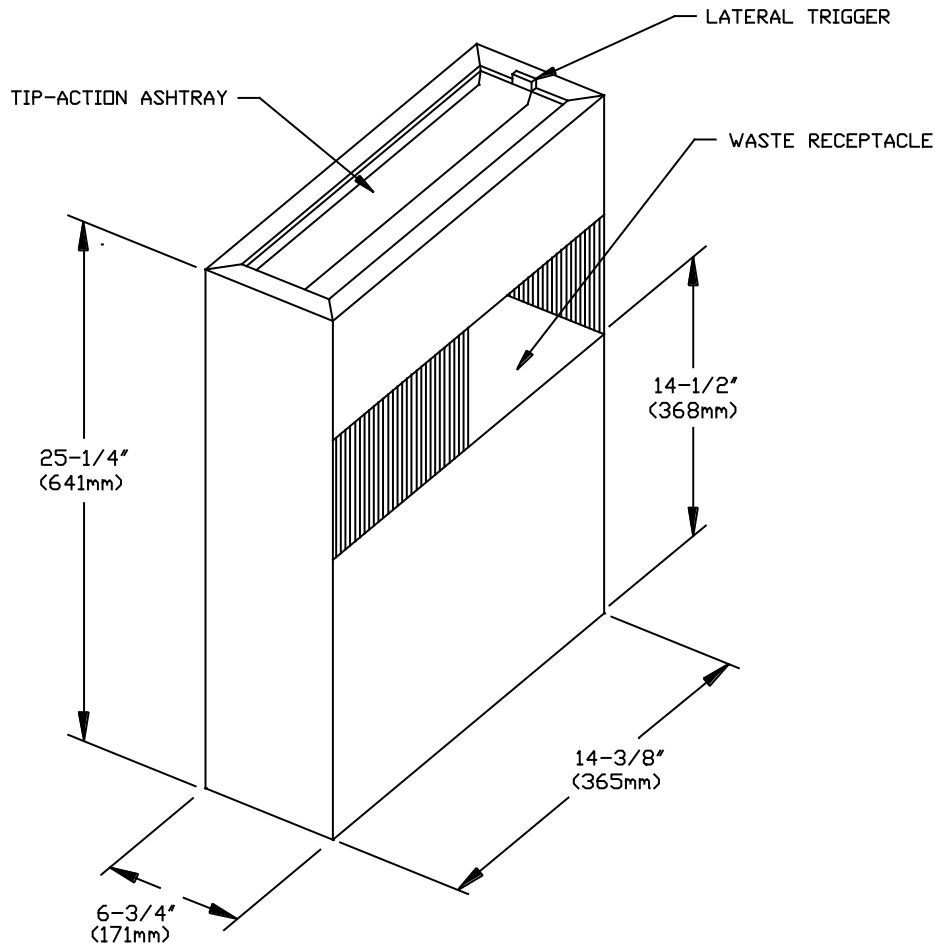
441 Saw Mill River Road, Yonkers, NY 10701 (914) 476-9000

MODEL No: 8610

ISSUED: 1-87

REVISED: 4-99

SURFACE MOUNTED WALL URN AND WASTE RECEPTACLE



SPECIFICATION

Surface Mounted Wall Urn and Waste Receptacle shall be fabricated of 18-8 stainless steel, type 304, 22 gauge (.8mm). All exposed surfaces shall have N^o4 satin finish and shall be protected during shipment with a PVC film easily removable after installation. Ashtray shall have a trip lever to empty into ash receptacle. Waste receptacle shall have an open top and shall be retained in unit body with a concealed hanger Z bar.

Surface Mounted Wall Urn and Waste Receptacle shall be Model N^o8610 as manufactured by American Specialties, Inc., 441 Saw Mill River Road, Yonkers, New York 10701- 4913

INSTALLATION

Unit is surface mounted using N^o10 self tapping screws (supplied) through concealed mounting holes provided. For compliance with ADA Accessibility Guidelines unit should be installed with ashtray top 54" (1372mm) maximum above finished floor (AFF) if clear floor side reach access is only provided or 48" (1219mm) max. AFF if clear floor forward reach access is only provided. For general utility install so that top of the ashtray is 30" to 46" (762mm to 1168mm) AFF.

OPERATION

Ashes are deposited in receptacle by activating push-down release on ash-trough. Waste container is emptied manually on cycle determined by maintenance needs.

Accessory Specialties

AMERICAN DISPENSER

Desert Ray Products

WATROUS INC.