



AMERICAN SPECIALTIES, INC.

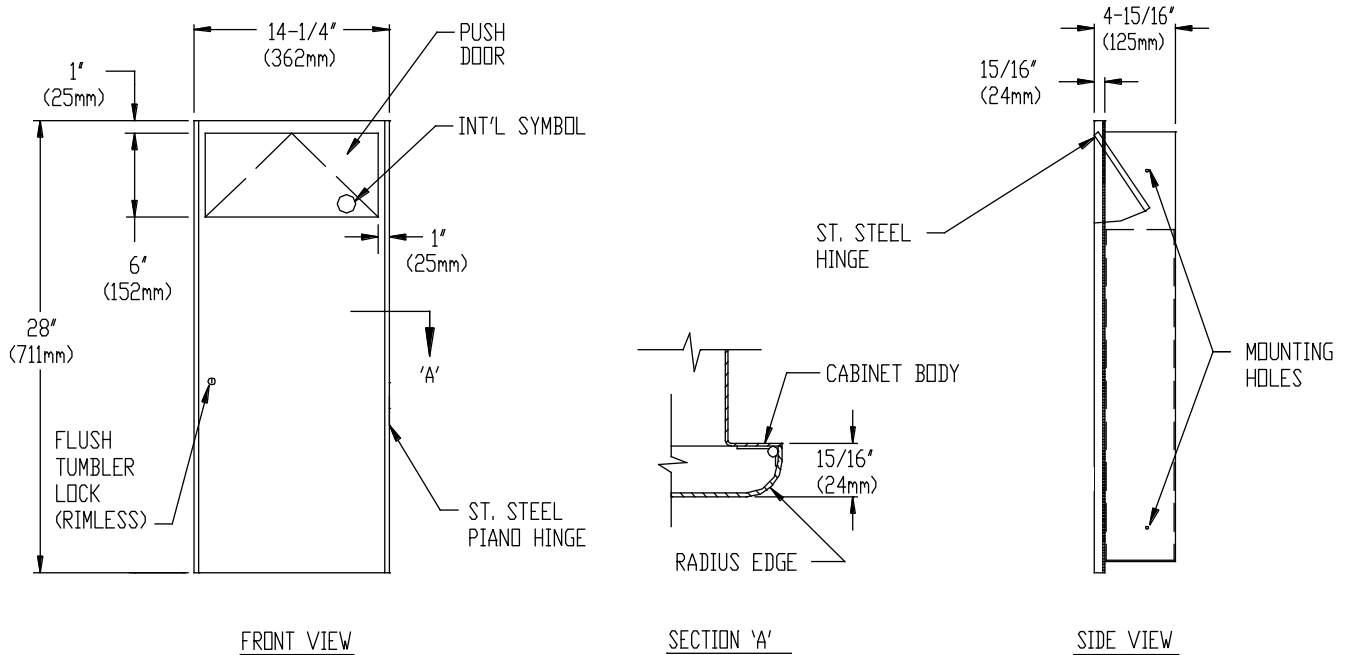
441 Saw Mill River Road, Yonkers, NY 10701 (914) 476-9000

MODEL No: 9459

ISSUED: 1-87

REVISED: 3-98

PROFILE COLLECTION RECESSED WASTE RECEPTACLE



SPECIFICATION

Profile Collection Recessed Waste Receptacle shall have a waste capacity of 4.5 gal (17 liters). Cabinet and door shall be fabricated of 18-8 stainless steel, type 304. Cabinet shall be 20 gauge (.9mm), with a 1" (25mm) wide perimeter return to lay flat against wall. Full face door shall be 16 gauge (1.5mm) and shall be free of miters, welding or open seams with 15/16" (24mm) square horizontal returns to wall and 3/4" (19mm) rounded vertical edges. All four corners are welded and ground smooth with no open miters. Door shall be attached to the edge of unit with a full length 3/16" (5mm) dia. stainless steel multi-staked piano hinge and shall be held closed with a flush rimless tumbler lock keyed alike to other ASI washroom equipment. Waste receptacle shall be fabricated of stainless steel with hemmed edges and a rolled-edge finger-hole for ease of removal. Push door shall be attached to cabinet with spring loaded stainless steel piano hinges and shall have the international waste disposal symbol attached to face. Structural assembly of all components shall be of welded construction. All exposed surfaces shall have N^o4 satin finish.

Profile Collection Recessed Waste Receptacle shall be Model N^o 9459 as manufactured by American Specialties, Inc., 441 Saw Mill River Road, Yonkers, New York 10701- 4913

INSTALLATION

Unit is mounted in wall recess using N^o10 self tapping screws (supplied) through concealed mounting holes provided. For compliance with ADA Accessibility Guidelines, unit should be installed so that waste receptacle rim is 54" (1372mm) maximum above finished floor (AFF) if clear floor side reach access is provided or 48" (1219mm) maximum AFF if clear floor forward reach access is provided. Note that top of RWO is 3/4" (19mm) below top of unit. Typical suggested mounting height is bottom of unit 24" (610mm) AFF.

Rough Wall Opening (RWO) required is.... 12-3/4"W x 26-1/2"H x 4-1/4"D min (324mm x 673mm x 108mm)

OPERATION

Waste receptacle is emptied manually on cycle determined by maintenance requirements. Keyed tumbler lock prevents unauthorized access or removal.

Accessory Specialties

AMERICAN DISPENSER

Desert Ray Products

WATROUS INC.