



AMERICAN SPECIALTIES, INC.

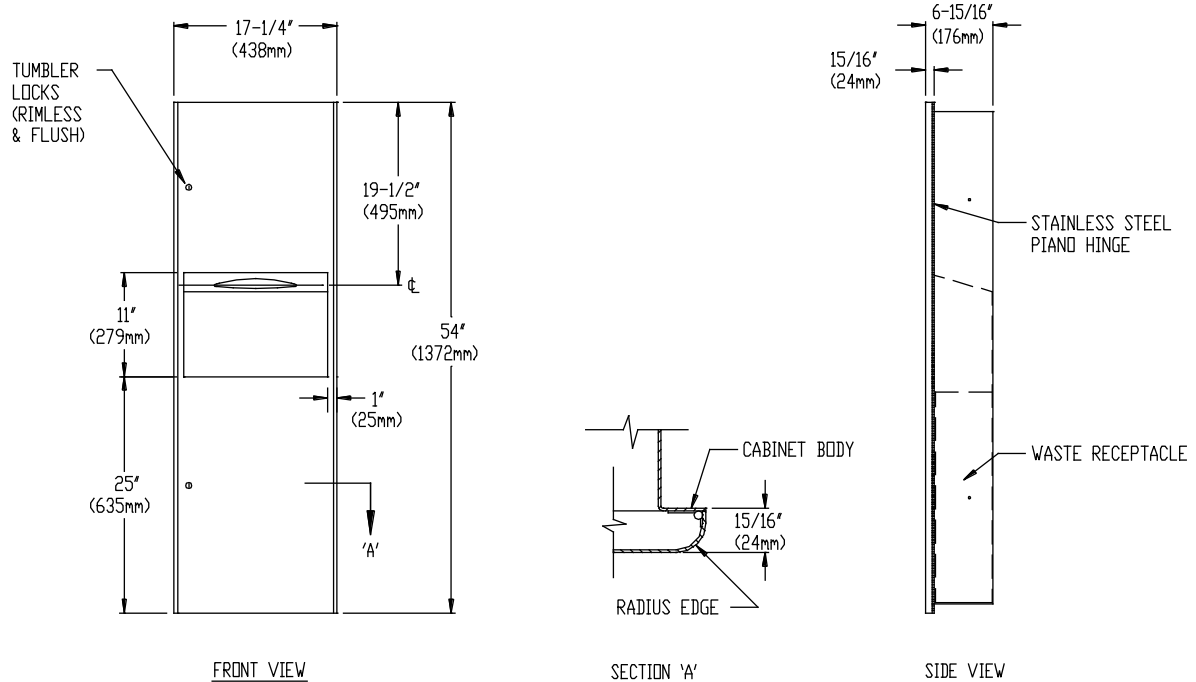
441 Saw Mill River Road, Yonkers, NY 10701 (914) 476-9000

MODEL No: 9462

ISSUED: 1-87

REVISED: 3-98

PROFILE COLLECTION RECESSED PAPER TOWEL DISPENSER AND WASTE RECEPTACLE



SPECIFICATION

Profile Collection Recessed Paper Towel Dispenser and Waste Receptacle shall hold and dispense 800 standard multi-fold or 600 standard C-fold paper towels or 1100 standard single-fold paper towels and shall have a waste capacity of 9 gal (34 liters). Cabinet and door shall be fabricated of alloy 18-8 stainless steel, type 304. Cabinet shall be 20 gauge (.9mm), with a 1" (25mm) wide perimeter return to lay flat against wall. Full face door shall be 16 gauge (1.5mm) and shall be free of miters, welding or open seams with 15/16" (24mm) square horizontal returns to wall and 3/4" (19mm) rounded vertical edges. All four corners are welded and ground smooth with no open miters. Door shall be attached to the edge of unit with a full length 3/16" (5mm) dia. stainless steel multi-staked piano hinge and shall be held closed with two (2) flush rimless tumbler locks keyed alike to other ASI washroom equipment. Towel dispensing opening shall have a fully deburred edge for snag-free dispensing and user safety. An integral adjustable towel guide shall be provided to allow change over from single-fold to C-fold and to multi-fold towel styles. Waste receptacle shall be fabricated of stainless steel with hemmed edges and a finger-pull for ease of service removal and maintenance safety. Structural assembly of body and door components shall be of welded construction. All exposed surfaces shall have a N^o4 satin finish.

Profile Collection Recessed Paper Towel Dispenser and Waste Receptacle shall be Model N^o 9462 as manufactured by American Specialties, Inc., 441 Saw Mill River Road, Yonkers, New York 10701- 4913

INSTALLATION

Unit is mounted in wall recess using N^o10 self tapping screws (supplied) through concealed mounting holes provided. For compliance with ADA Accessibility Guidelines, unit should be installed so that towel dispenser slot is 54" (1372mm) maximum above finished floor (AFF) if clear floor side reach access is provided or 48" (1219mm) maximum AFF if clear floor forward reach access only is provided. Note that top of RWO is 3/4" (19mm) below top of unit.

Rough Wall Opening (RWO) required 15-3/4"W x 52-1/2"H x 6-1/4"D min (400mm x 1334mm x 158mm)

OPERATION

Towels are self-feeding until supply is depleted. Unit may be refilled with a partial load in-place and will continue to feed properly. Waste receptacle is emptied manually on cycle determined by maintenance needs. Adapter (provided) allows alternating between single-fold, C-fold and multi-fold dispensing at time of loading for a single type per load.

Accessory Specialties

AMERICAN DISPENSER

Desert Ray Products

WATROUS INC.